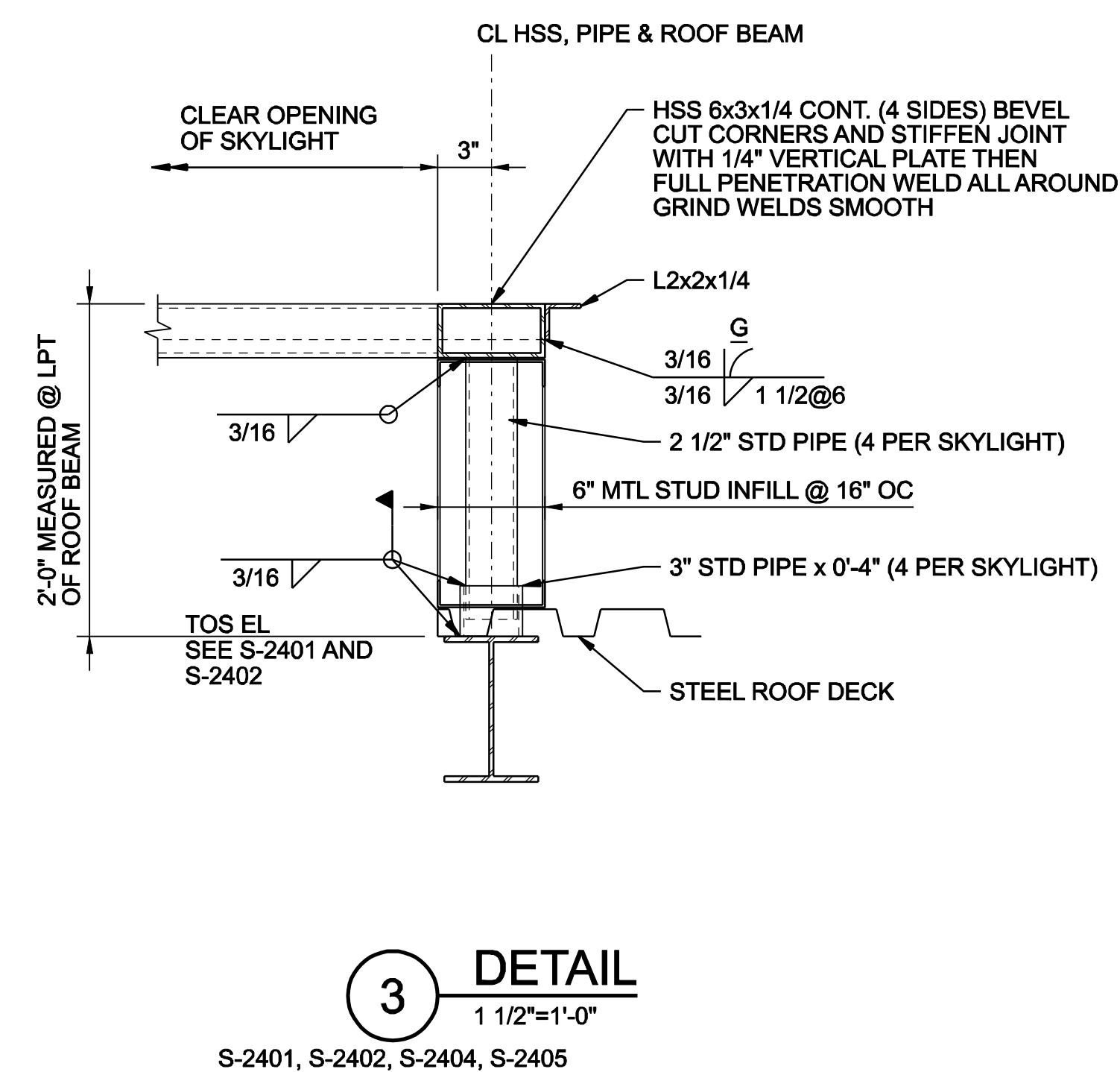
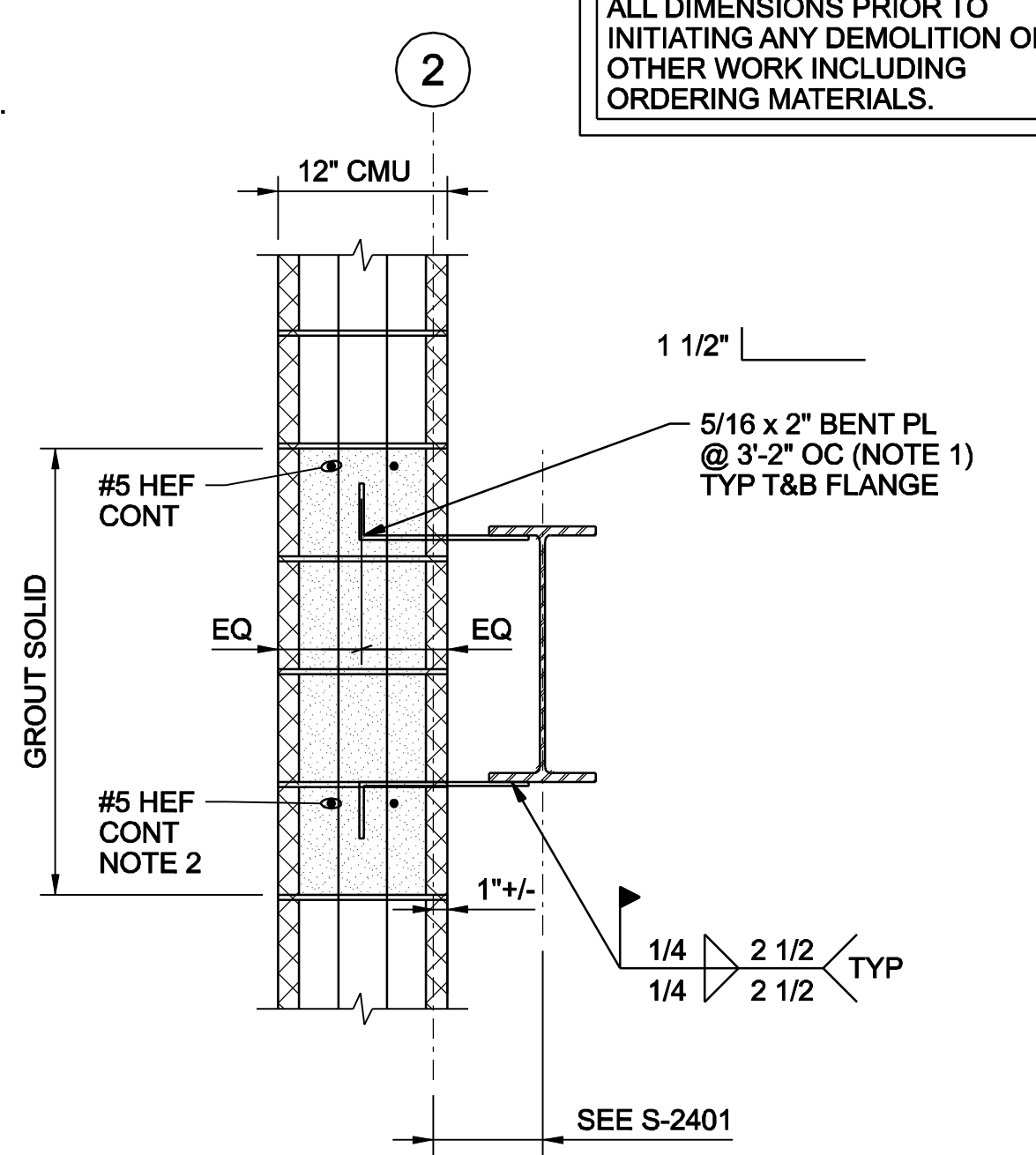


A
B
C
D



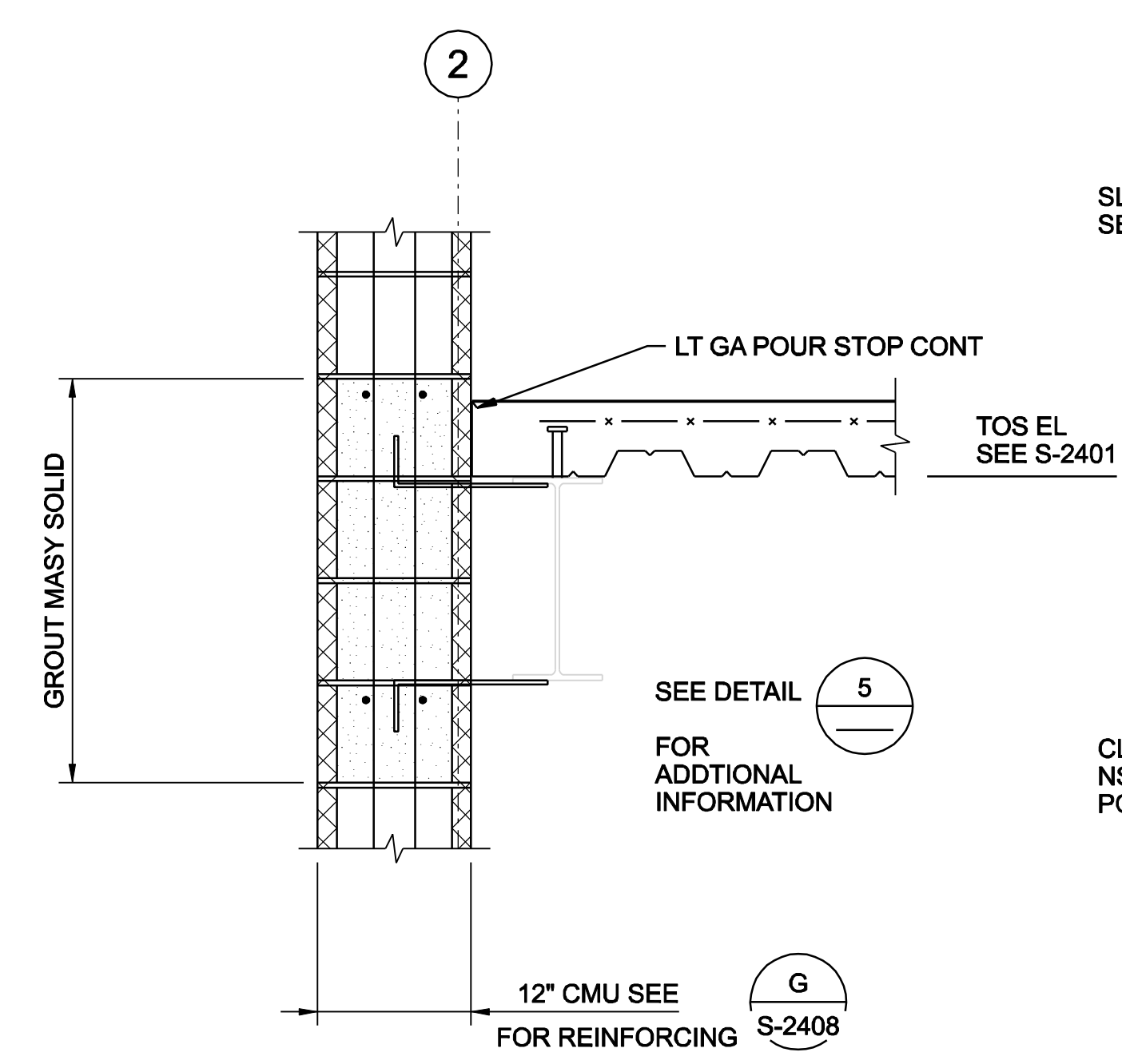
3 **DETAIL**
1 1/2"=1'-0"
S-2401, S-2402, S-2404, S-2405



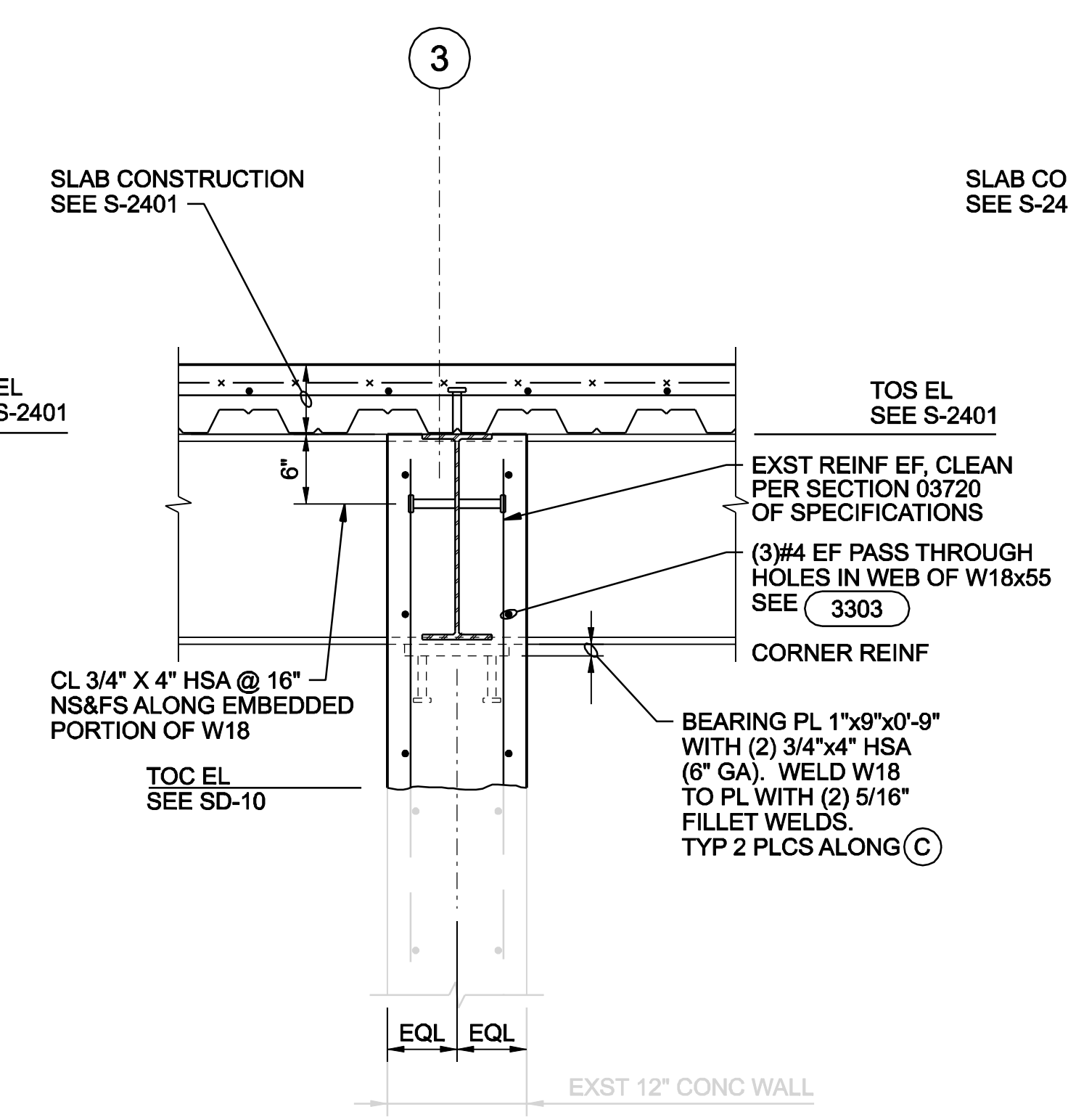
5 **DETAIL**
1"=1'-0"
S-2408

- NOTES:**
- EXCEPT ADJUST SPACING AT WINDOW
 - REQUIRED ONLY IF THERE ISN'T A BOND BEAM AT THIS LOCATION.

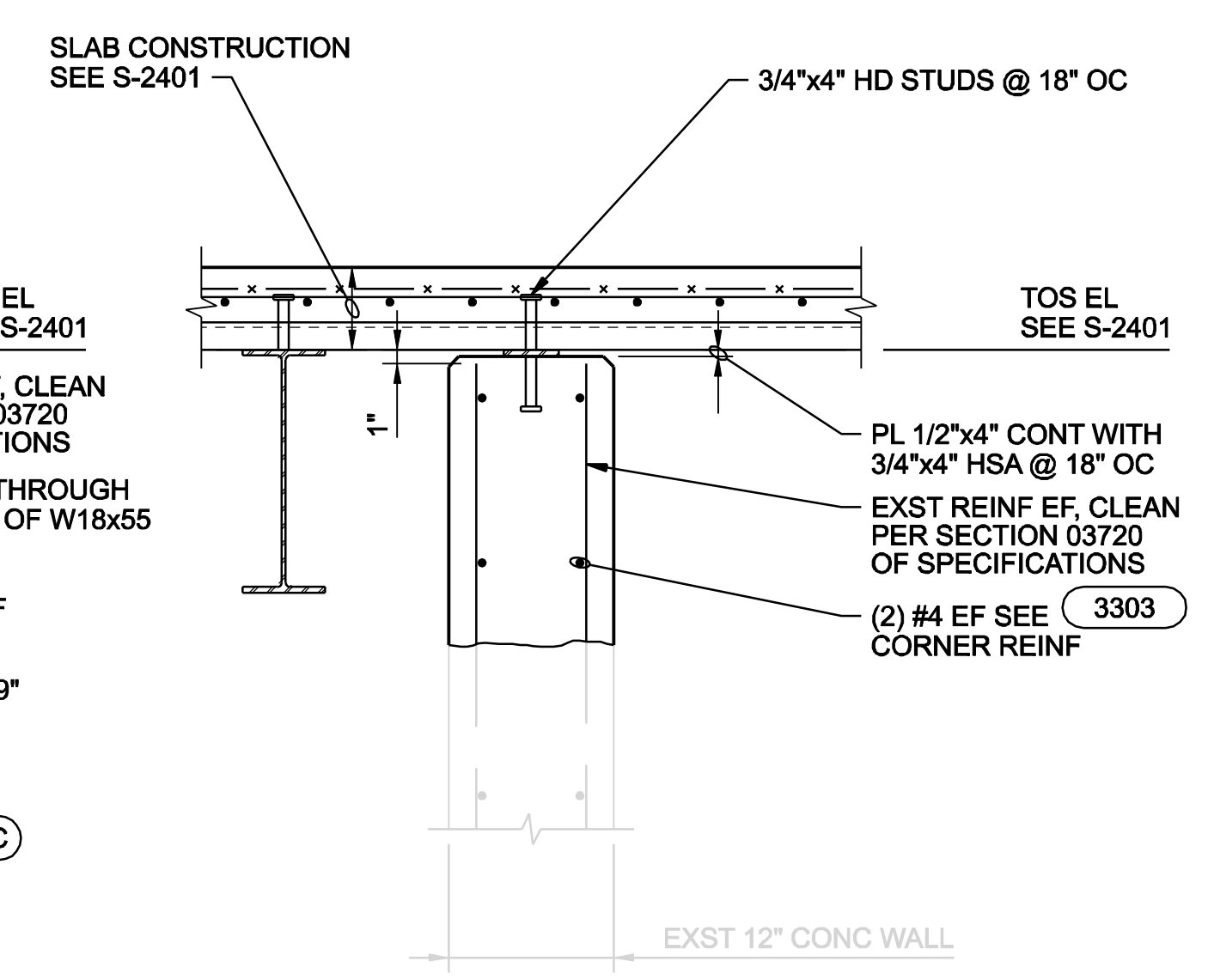
CONTRACTOR TO FIELD VERIFY ALL DIMENSIONS PRIOR TO INITIATING ANY DEMOLITION OR OTHER WORK INCLUDING ORDERING MATERIALS.



7 **DETAIL**
1"=1'-0"
S-2408



8 **DETAIL**
1"=1'-0"
S-2406, S-2409



A **SECTION**
1"=1'-0"
S-2401

THESE RECORD DOCUMENTS HAVE BEEN PREPARED BASED ON THE INFORMATION PROVIDED BY OTHERS. THE DESIGN PROFESSIONAL HAS NOT VERIFIED THE ACCURACY AND/OR COMPLETENESS OF THIS INFORMATION AND SHALL NOT BE RESPONSIBLE FOR ANY ERRORS OR OMISSIONS WHICH MAY BE INCORPORATED HEREIN AS A RESULT.

RECORD DRAWING	RE-ISSUED FOR CONSTRUCTION	ISSUED FOR CONSTRUCTION	FOR FINAL REVIEW/ BUILDING PERMIT
01/20/08	09/08/06	07/04/06	06/19/06
3	2	1	0
DSGN	NO	DATE	REVISION
M. CHEZANOWSKI	DR	CHK	APVD
G. OMORI	M. GOODSON	B. GACKSTATTER	
BG	BG	PW	PW
BG	BG	BG	MC
BG	BG	BG	BG
BG	BG	BG	BG

STAMFORD WPC	STAMFORD WATER POLLUTION CONTROL AUTHORITY	SOLIDS DRYING PROJECT
--------------	--	-----------------------

CH2MHILL	STRUCTURAL	MISCELLANEOUS DETAILS 5
-----------------	------------	-------------------------

VERIFY SCALE	BAR IS ONE INCH ON ORIGINAL DRAWING.
DATE	JUNE 2006
PROJ	334058
DWG	S-2422
SHEET	S35

REUSE OF DOCUMENTS: THIS DOCUMENT AND THE IDEAS AND DESIGNS INCORPORATED HEREIN, AS AN INSTRUMENT OF PROFESSIONAL SERVICE, IS THE PROPERTY OF CH2M HILL AND IS NOT TO BE USED, IN WHOLE OR IN PART, FOR ANY OTHER PROJECT WITHOUT THE WRITTEN AUTHORIZATION OF CH2M HILL. © CH2M HILL 2004. ALL RIGHTS RESERVED.