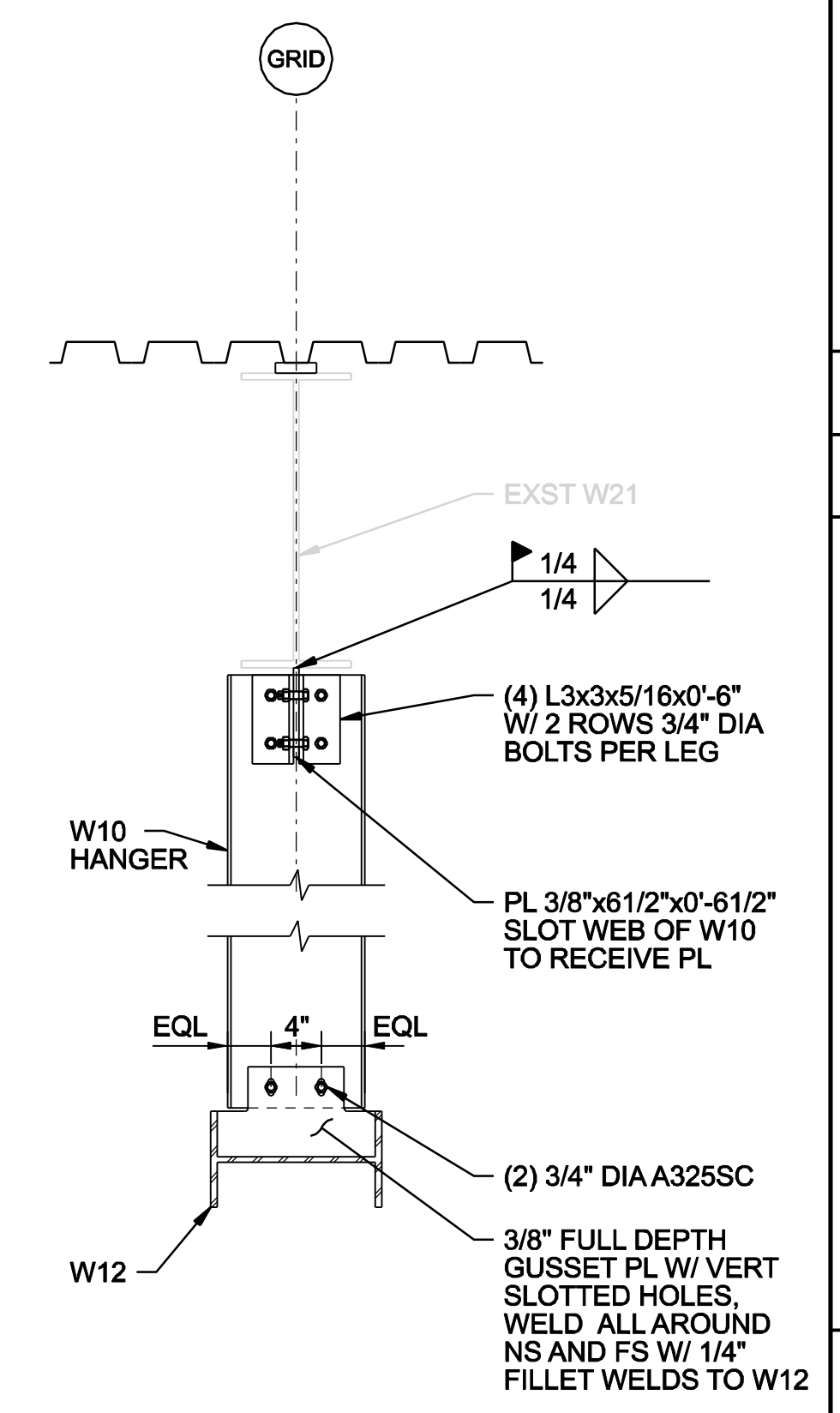
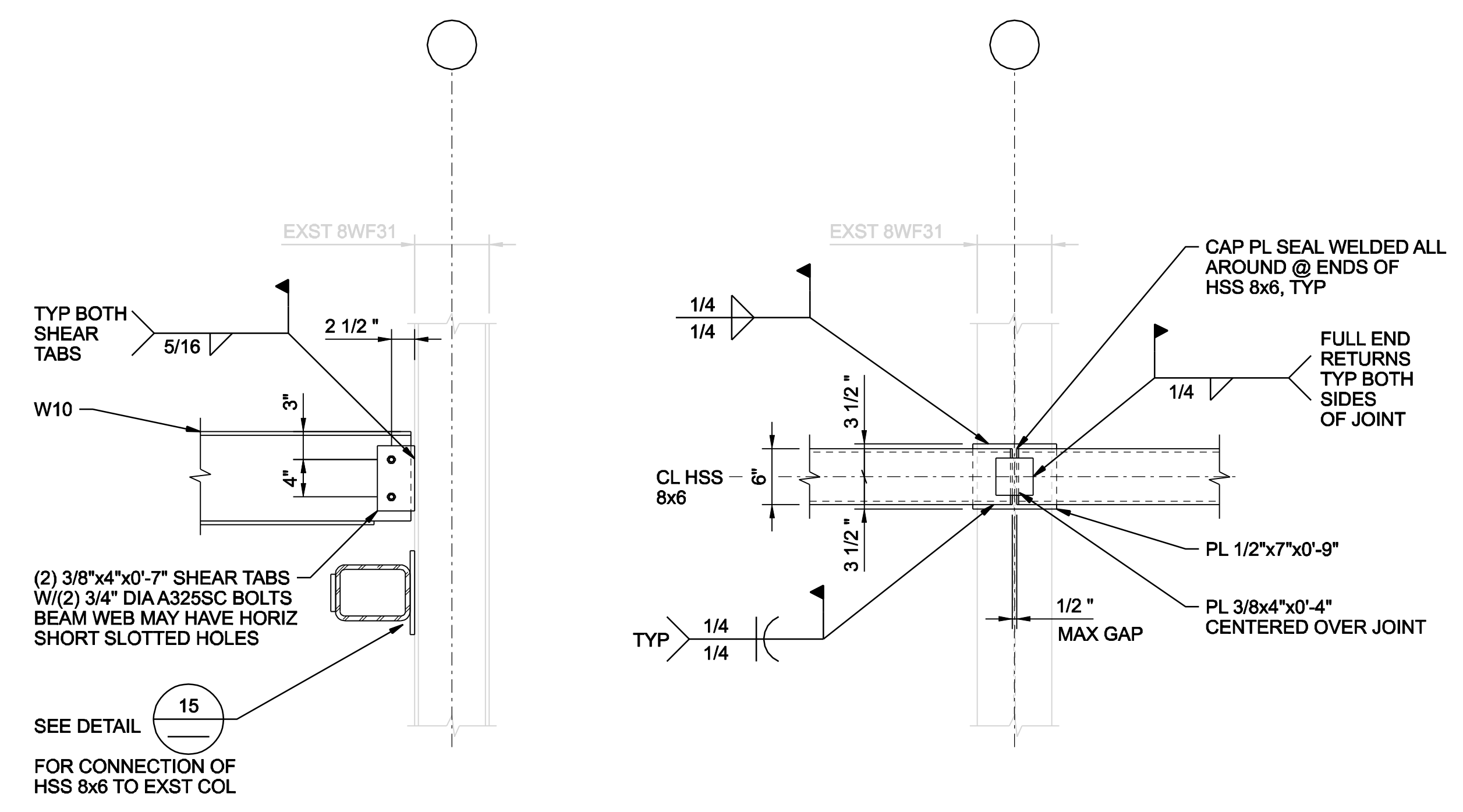


CONTRACTOR TO FIELD VERIFY ALL DIMENSIONS PRIOR TO INITIATING ANY DEMOLITION OR OTHER WORK INCLUDING ORDERING MATERIALS.

10 DETAIL
1"=1'-0"
S-2403

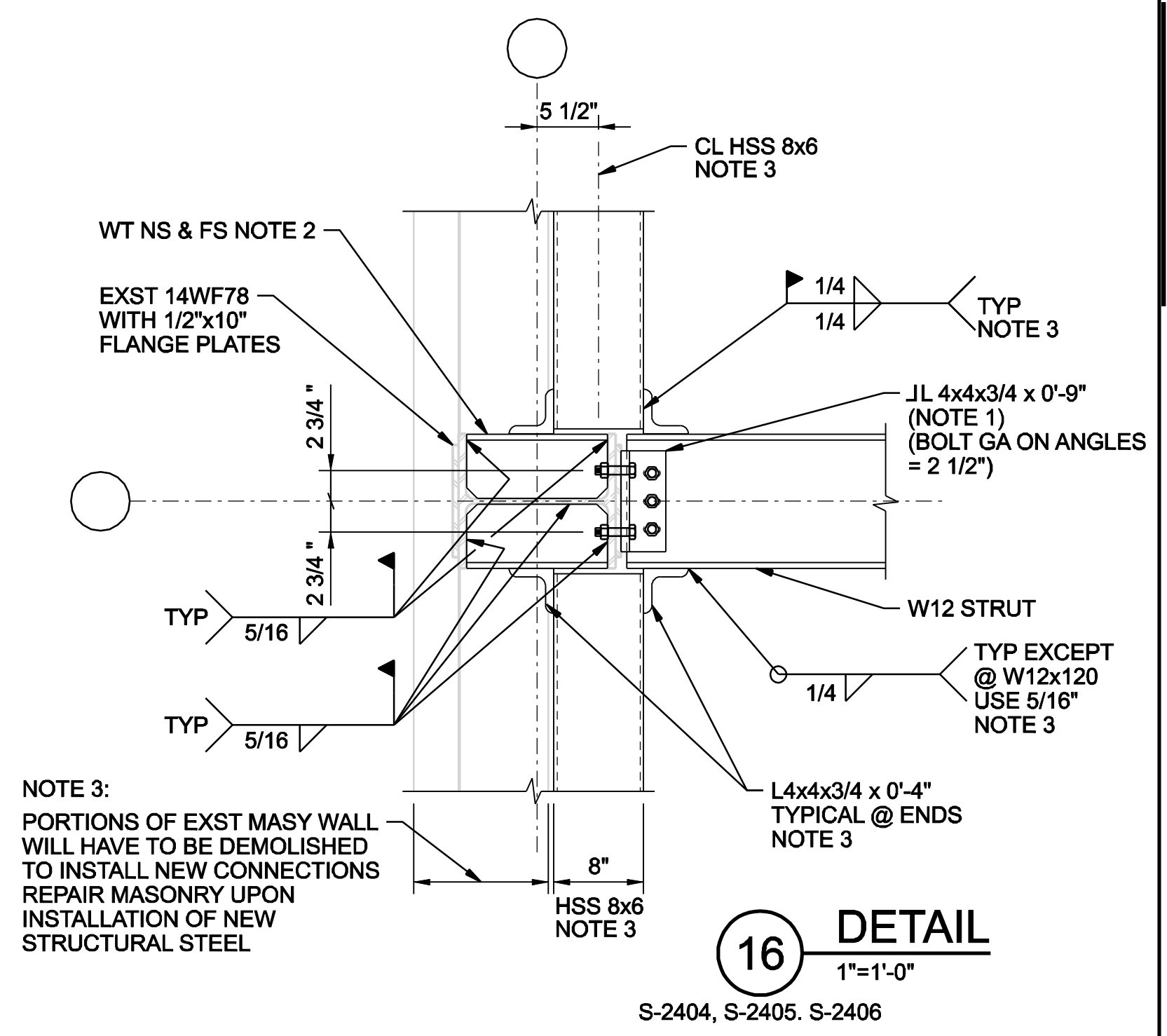


12 DETAIL
1"=1'-0"
S-2404, S-2405



14 DETAIL
1"=1'-0"
S-2404, S-2405, S-2406

15 DETAIL
1"=1'-0"
S-2411



NOTE 3:
PORTIONS OF EXST MASY WALL WILL HAVE TO BE DEMOLISHED TO INSTALL NEW CONNECTIONS REPAIR MASONRY UPON INSTALLATION OF NEW STRUCTURAL STEEL

16 DETAIL
1"=1'-0"
S-2404, S-2405, S-2406

- NOTES:**
- PROVIDE (2) 3/4" DIA A325 SC BOLTS PER VERTICAL LEG OF ANGLES. FIELD DRILL HOLES THROUGH EXST COLUMN FLANGE AND FLANGE PLATE. PROVIDE (3) 3/4" DIA A325 SC BOLTS PER HORIZONTAL LEG OF ANGLES. PROVIDE SLOTTED HOLES IN WEB OF W12.
 - FABRICATE WT FROM PIECE OF W12 STRUT.
 - ALONG COLUMN LINE 4 ONLY.

THESE RECORD DOCUMENTS HAVE BEEN PREPARED BASED ON THE INFORMATION PROVIDED BY OTHERS. THE DESIGN PROFESSIONAL HAS NOT VERIFIED THE ACCURACY AND/OR COMPLETENESS OF THIS INFORMATION AND SHALL NOT BE RESPONSIBLE FOR ANY ERRORS OR OMISSIONS WHICH MAY BE INCORPORATED HEREIN AS A RESULT.

RECORD DRAWING	BG	APVD	B. GACKSTATTER
RE-ISSUED FOR CONSTRUCTION	BG	BY	
ISSUED FOR CONSTRUCTION	BG	BY	
FOR FINAL REVIEW/ BUILDING PERMIT	BG	BY	
NO.	DATE	REVISION	
3	01/20/08	DGN	M. CHEZANOWSKI
2	09/08/06	DR	G. OMORI
1	07/04/06	CHK	M. GOODSON
0	06/19/06	APVD	

STAMFORD WPC	STAMFORD WATER POLLUTION CONTROL AUTHORITY SOLIDS DRYING PROJECT
--------------	--

CH2MHILL	STRUCTURAL	MISCELLANEOUS DETAILS 2
-----------------	------------	-------------------------

VERIFY SCALE	BAR IS ONE INCH ON ORIGINAL DRAWING.
DATE	JUNE 2006
PROJ	334058
DWG	S-2419
SHEET	S32