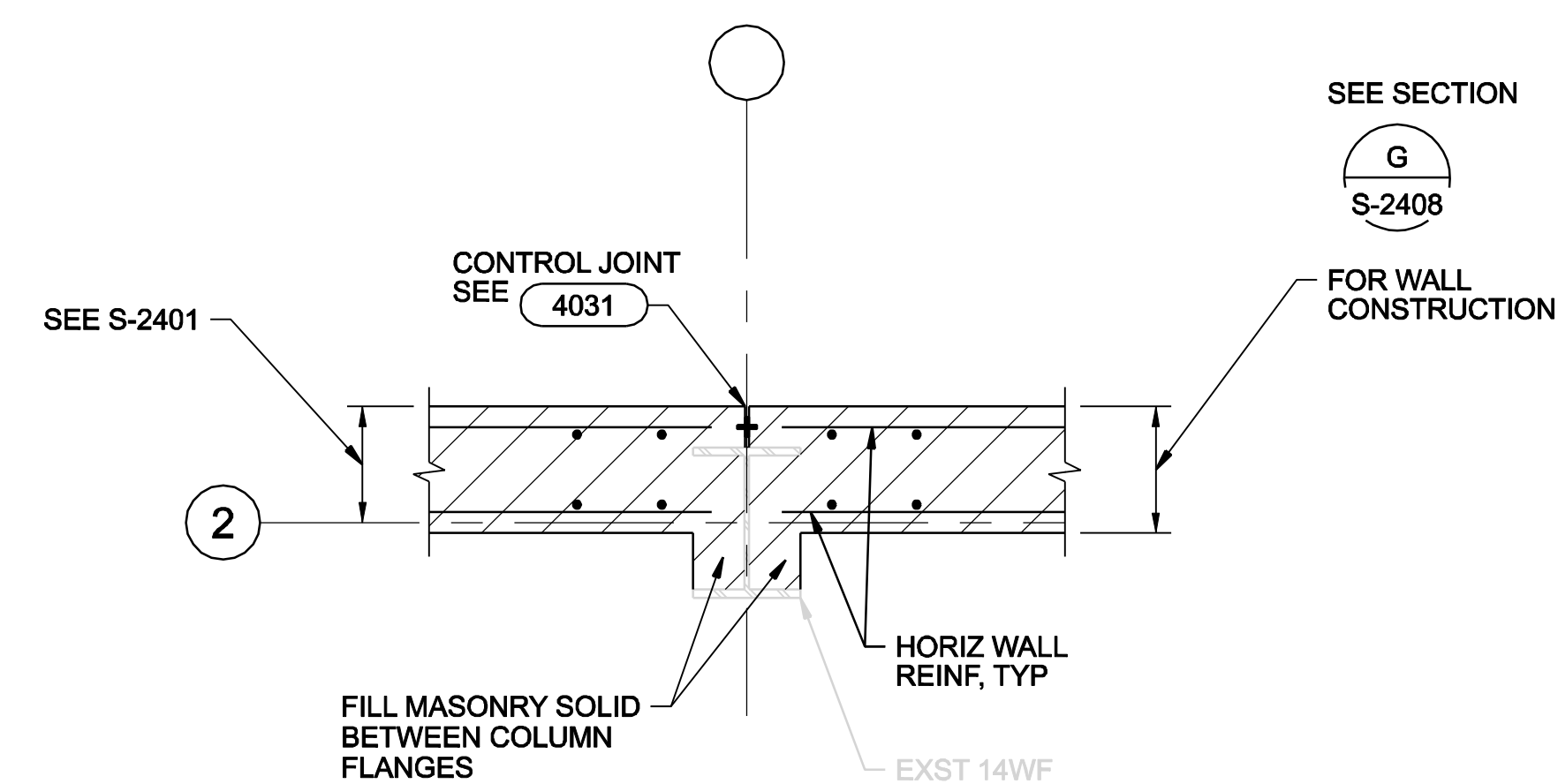
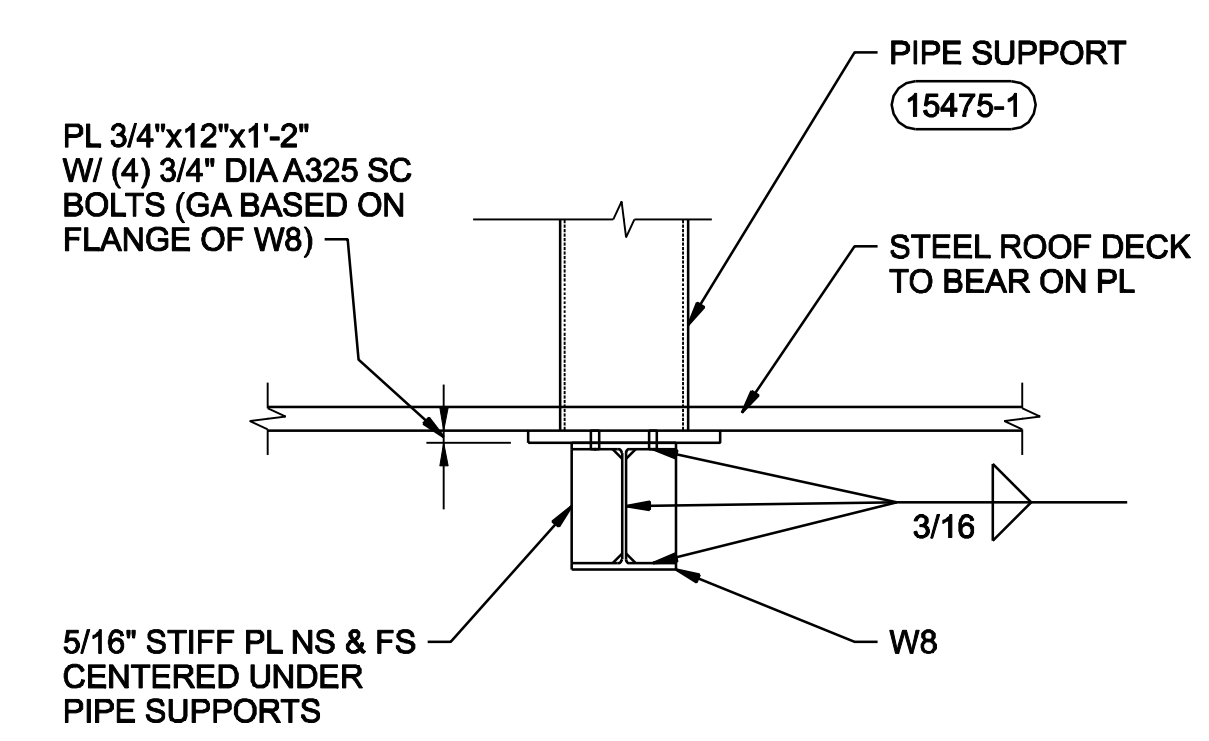


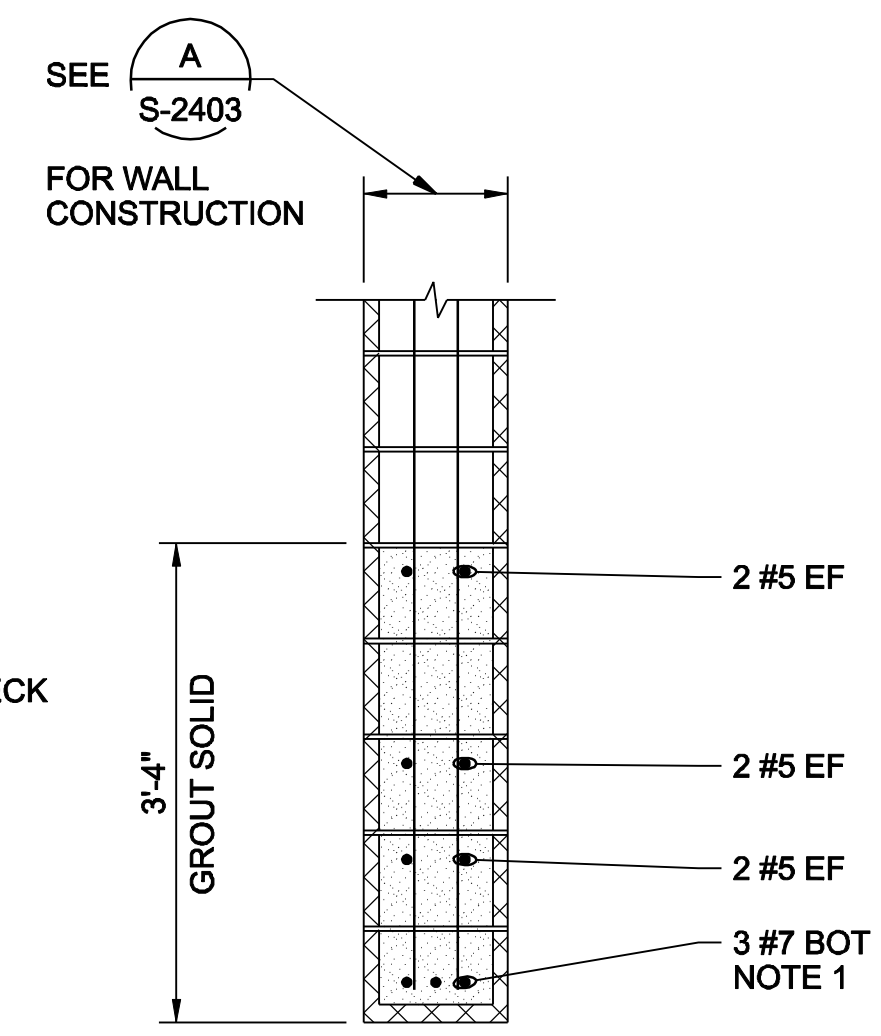
CONTRACTOR TO FIELD VERIFY ALL DIMENSIONS PRIOR TO INITIATING ANY DEMOLITION OR OTHER WORK INCLUDING ORDERING MATERIALS.



6 DETAIL
3/4"=1'-0"
S-2408

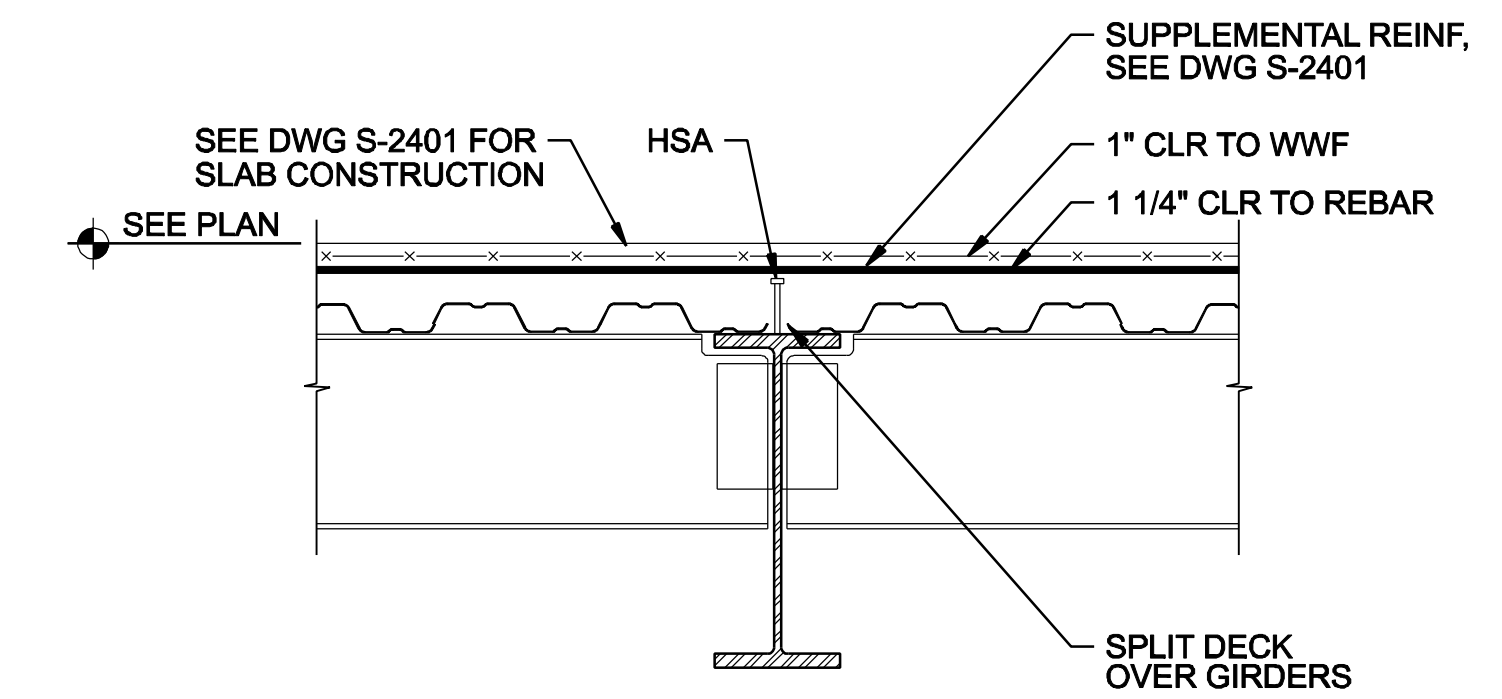


C DETAIL
1"=1'-0"
S-2401



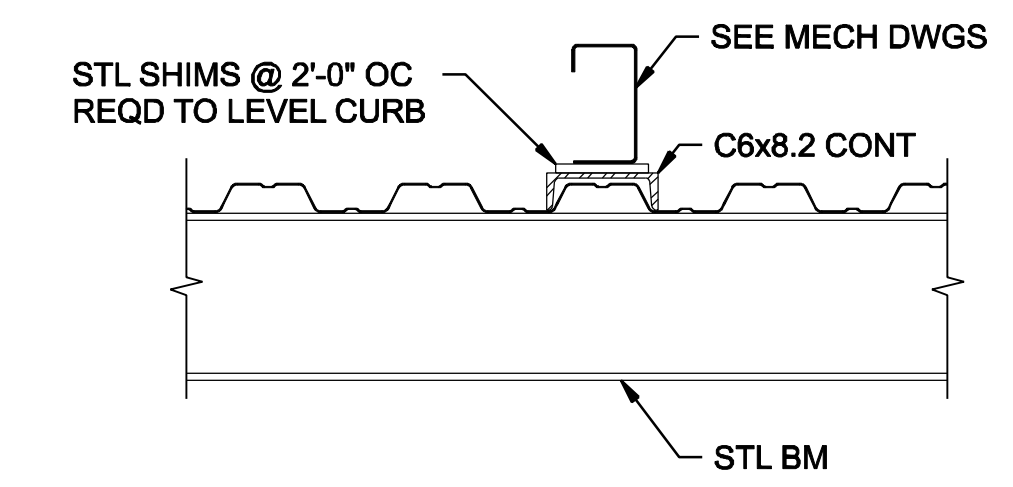
D SECTION
3/4"=1'-0"
S-2403

NOTE:
1. LAP @ ENDS TO (2) #5



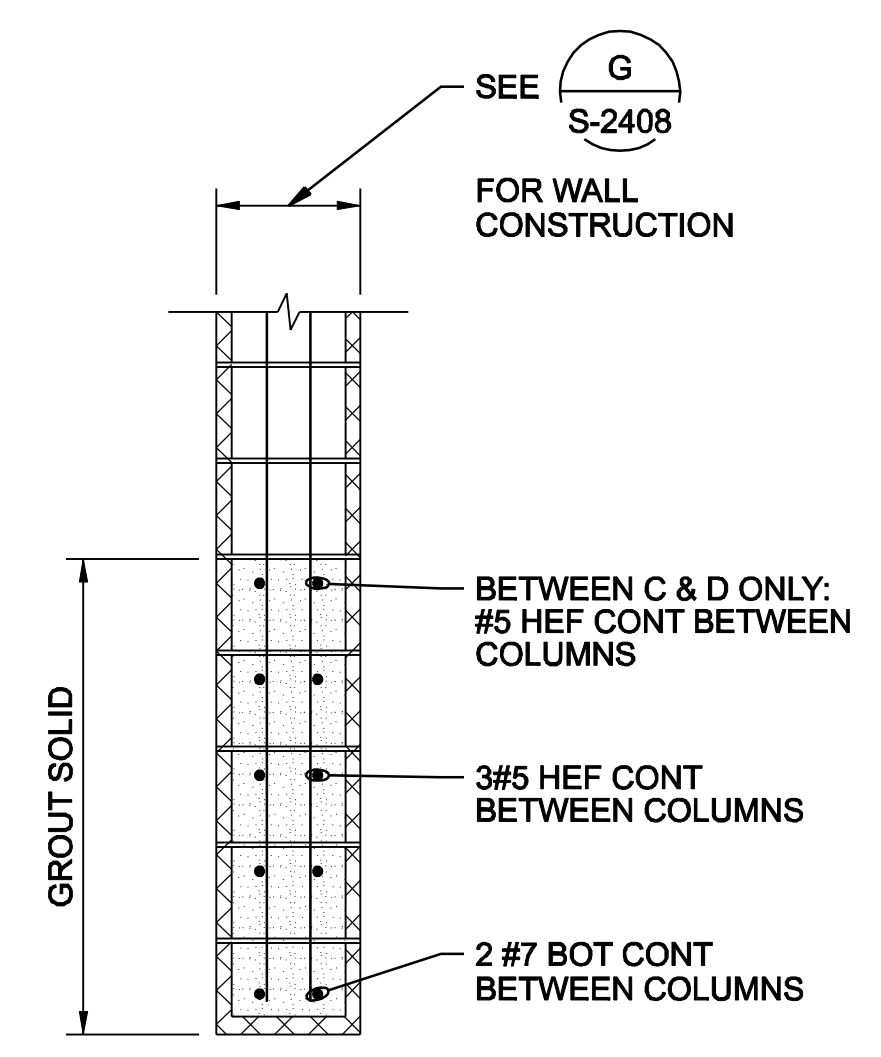
TYPICAL COMPOSITE FLOOR SLAB REINFORCING

1 DETAIL
NTS
S-2401

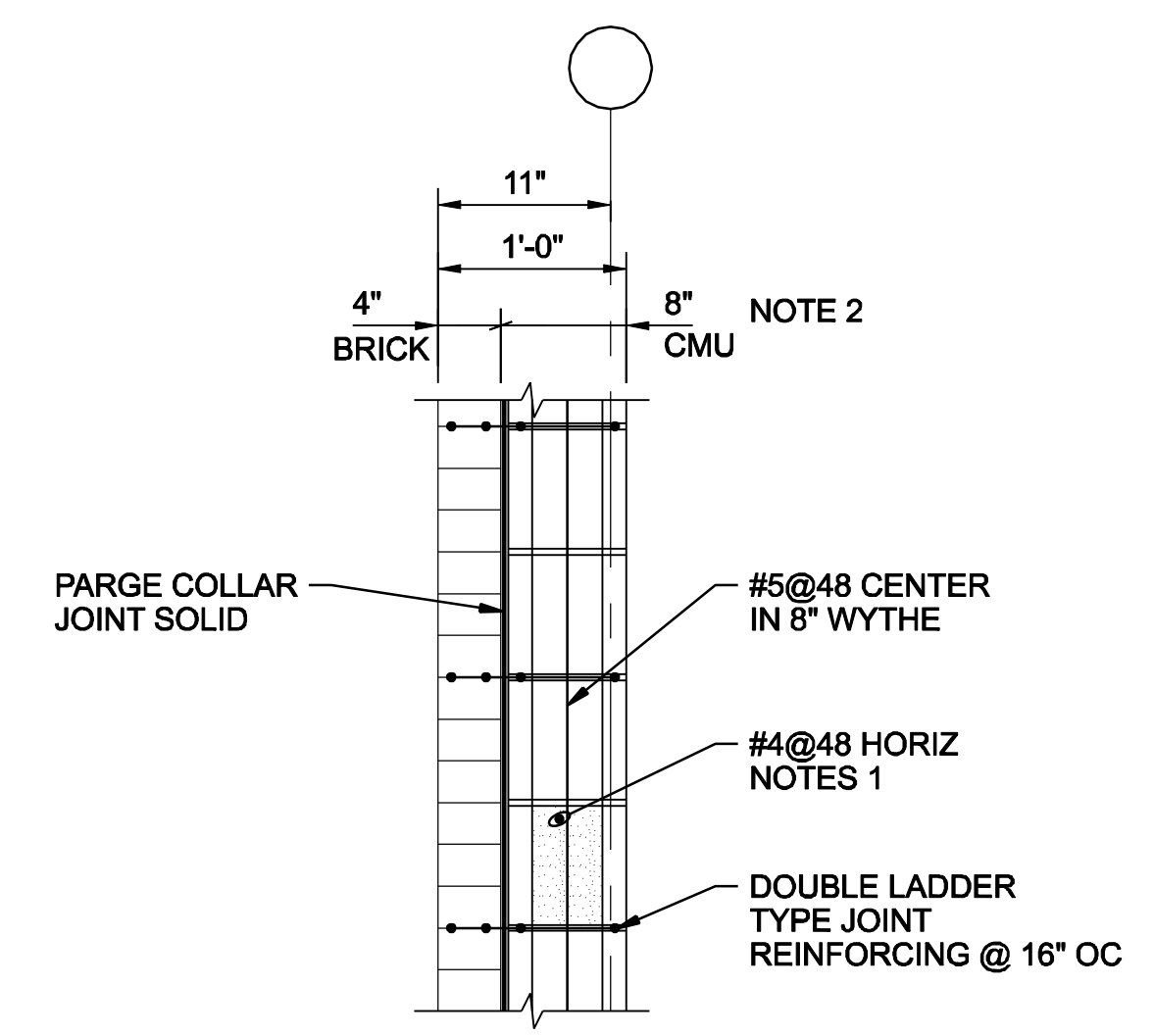


MECHANICAL UNIT SUPPORT

2 DETAIL
NTS
S-2402



7 DETAIL
3/4"=1'-0"
S-2408

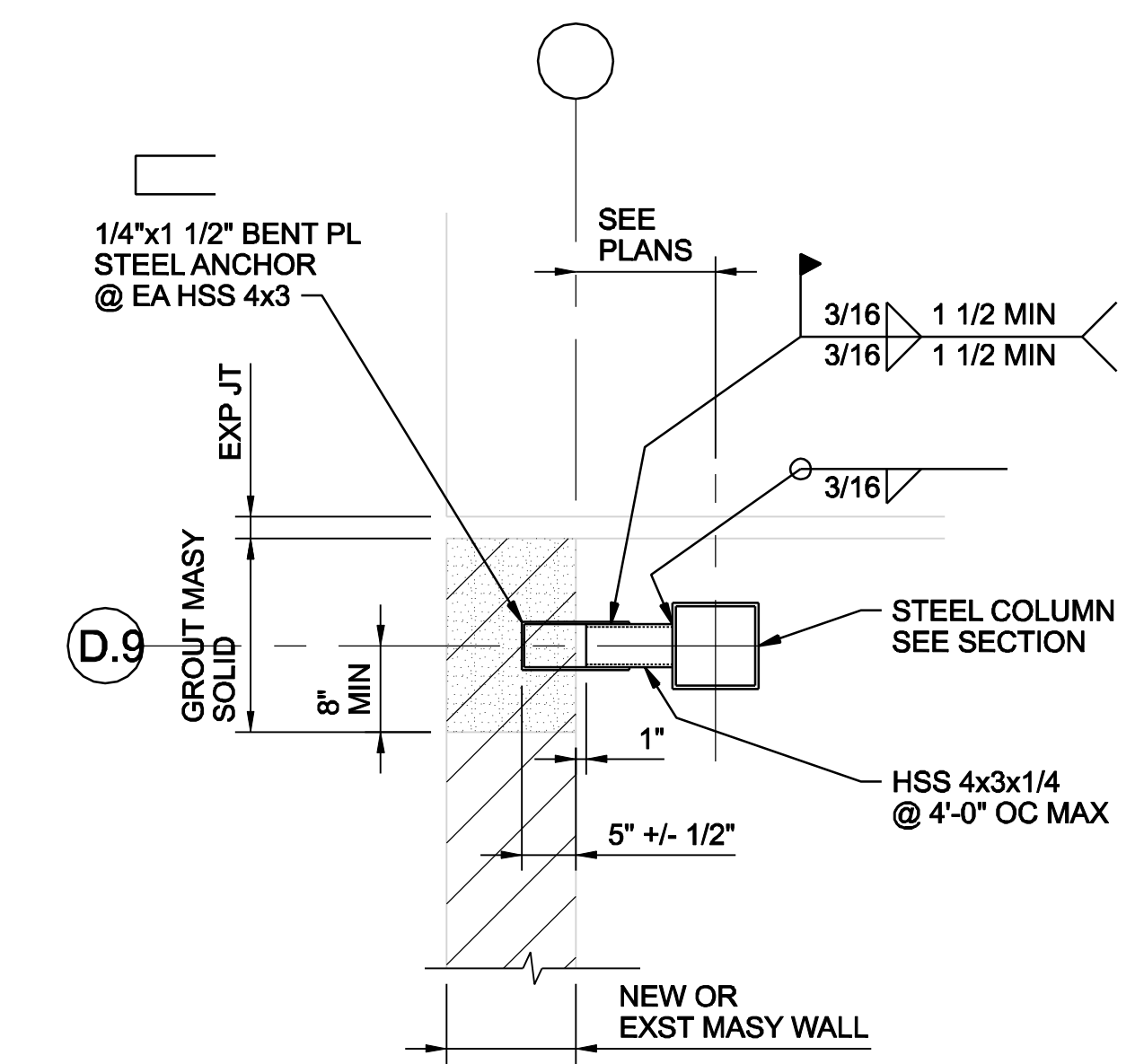


NOTES:
1. PROVIDE 5/8"x2'-6" DSA @ 48" WELDED TO EXST 14WF AT COLUMN LINE D, SPLICE HORIZ REINF TO DSA'S.
2. ANCHOR NEW WALL CONSTRUCTION TO EXST ROOF FRAMING PER SECTION

C S-2416

MULTI-WYTHE COMPOSITE WALL

3 DETAIL
1"=1'-0"
S-2407, S-2410, S-2416



5 DETAIL
1"=1'-0"
S-2407, S-2408, S-2410

THESE RECORD DOCUMENTS HAVE BEEN PREPARED BASED ON THE INFORMATION PROVIDED BY OTHERS. THE DESIGN PROFESSIONAL HAS NOT VERIFIED THE ACCURACY AND/OR COMPLETENESS OF THIS INFORMATION AND SHALL NOT BE RESPONSIBLE FOR ANY ERRORS OR OMISSIONS WHICH MAY BE INCORPORATED HEREIN AS A RESULT.

RECORD DRAWING	RE-ISSUED FOR CONSTRUCTION	ISSUED FOR CONSTRUCTION	FOR FINAL REVIEW/ BUILDING PERMIT
01/20/08	09/08/06	07/04/06	06/19/06
3	2	1	0
NO.	DATE	DR	APVD
M. CHRZANOWSKI	G. OMORI	M. GOODSON	B. GACKSTATTER
D	CHK	BY	APVD



STAMFORD WATER POLLUTION CONTROL AUTHORITY SOLIDS DRYING PROJECT



STRUCTURAL DETAILS (SECOND FLOOR AND LOW ROOF LEVELS 2)

VERIFY SCALE	
BAR IS ONE INCH ON ORIGINAL DRAWING.	
DATE	JUNE 2006
PROJ	334058
DWG	S-2415
SHEET	S28