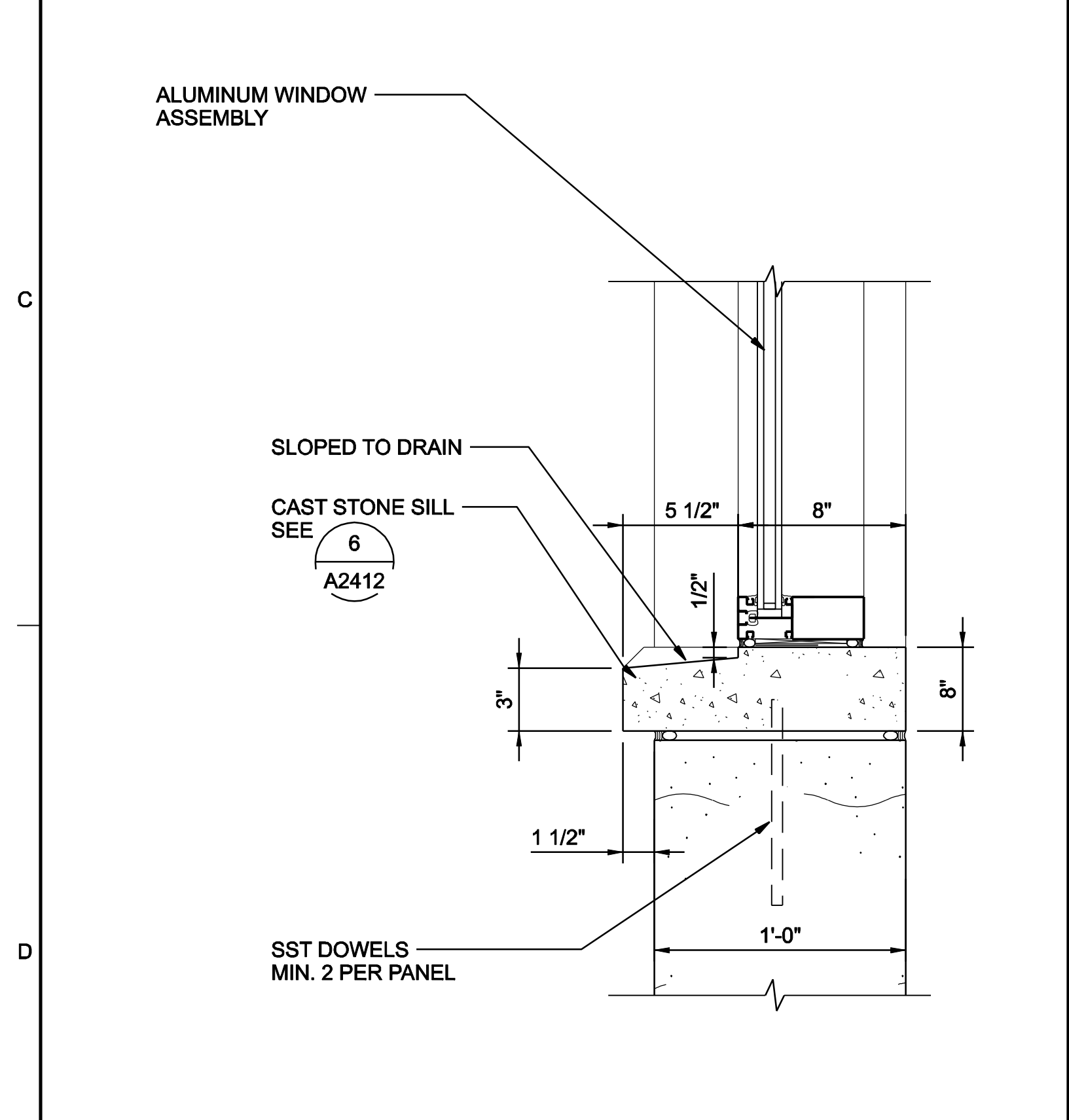
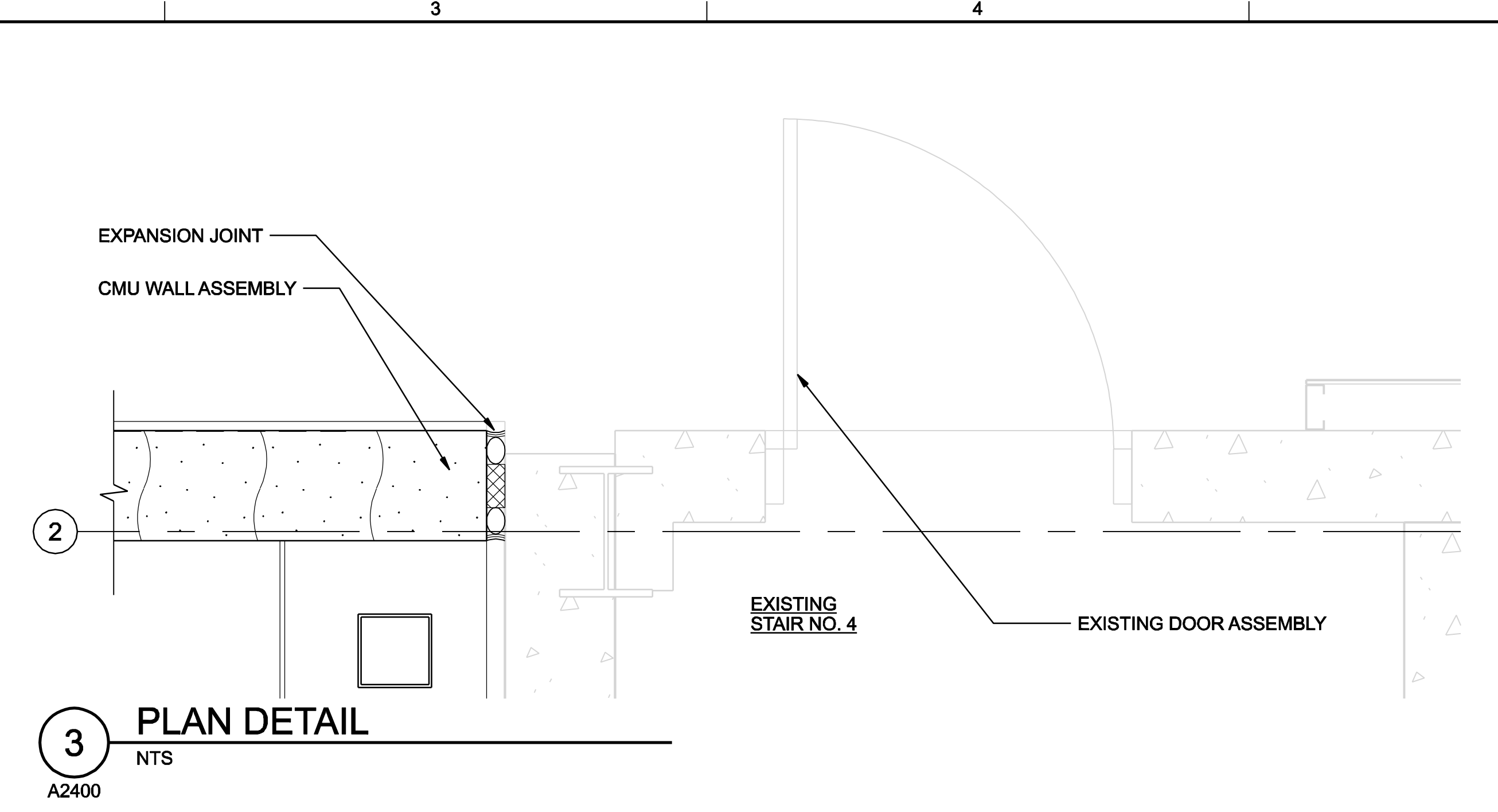


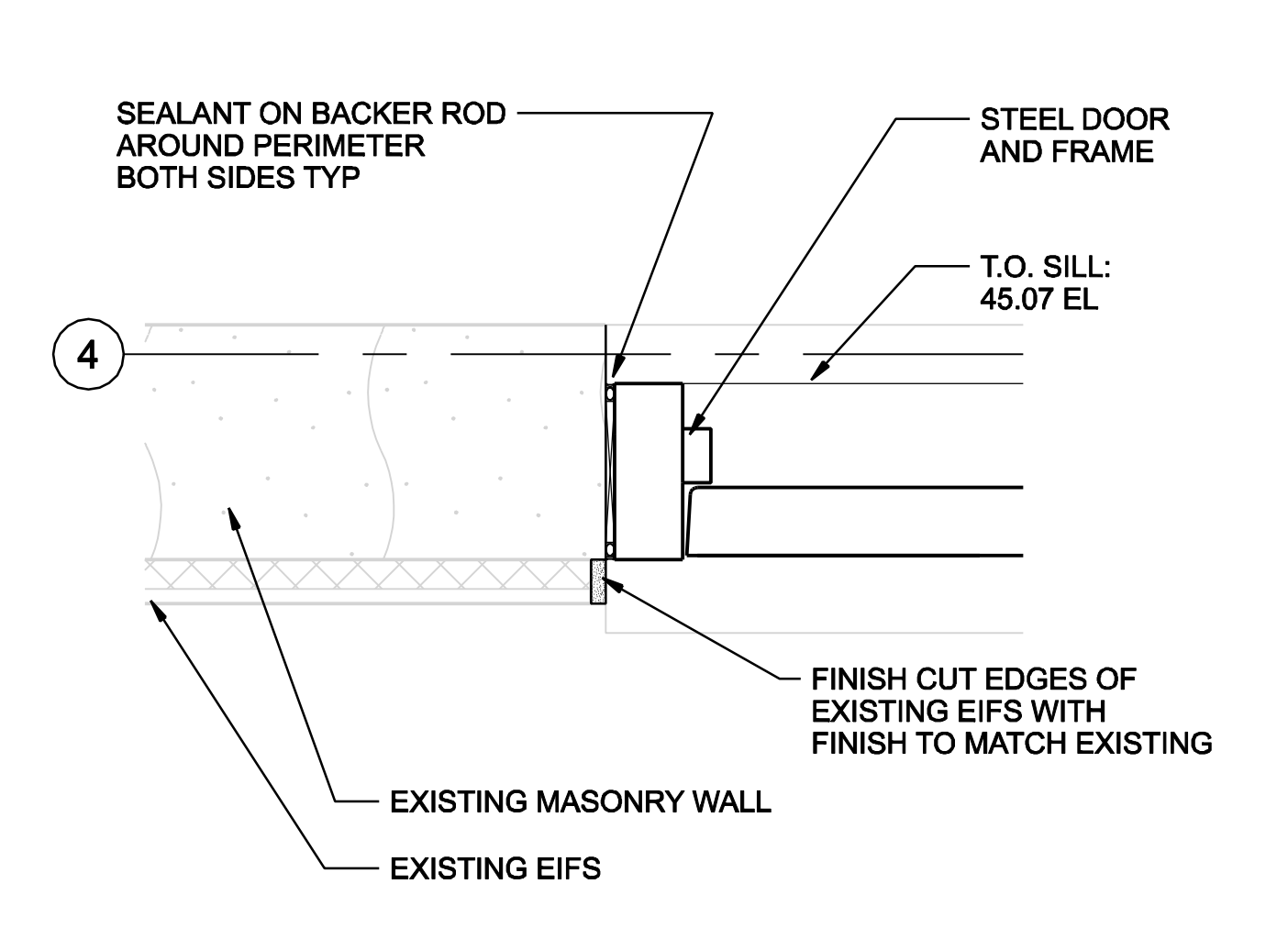
1 TYPICAL PARAPET DETAIL
NTS
A2411



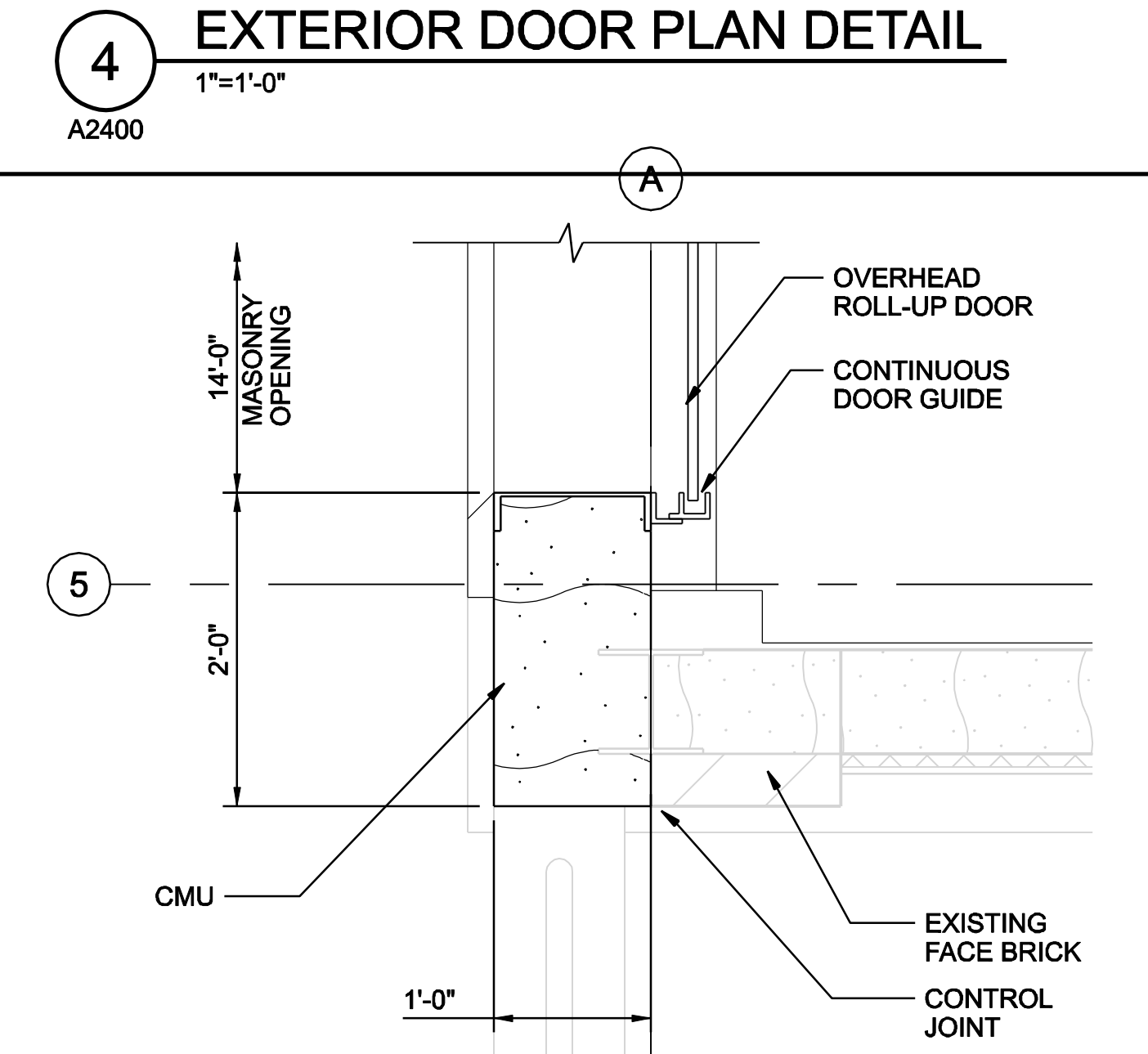
2 TYPICAL SILL DETAIL
NTS



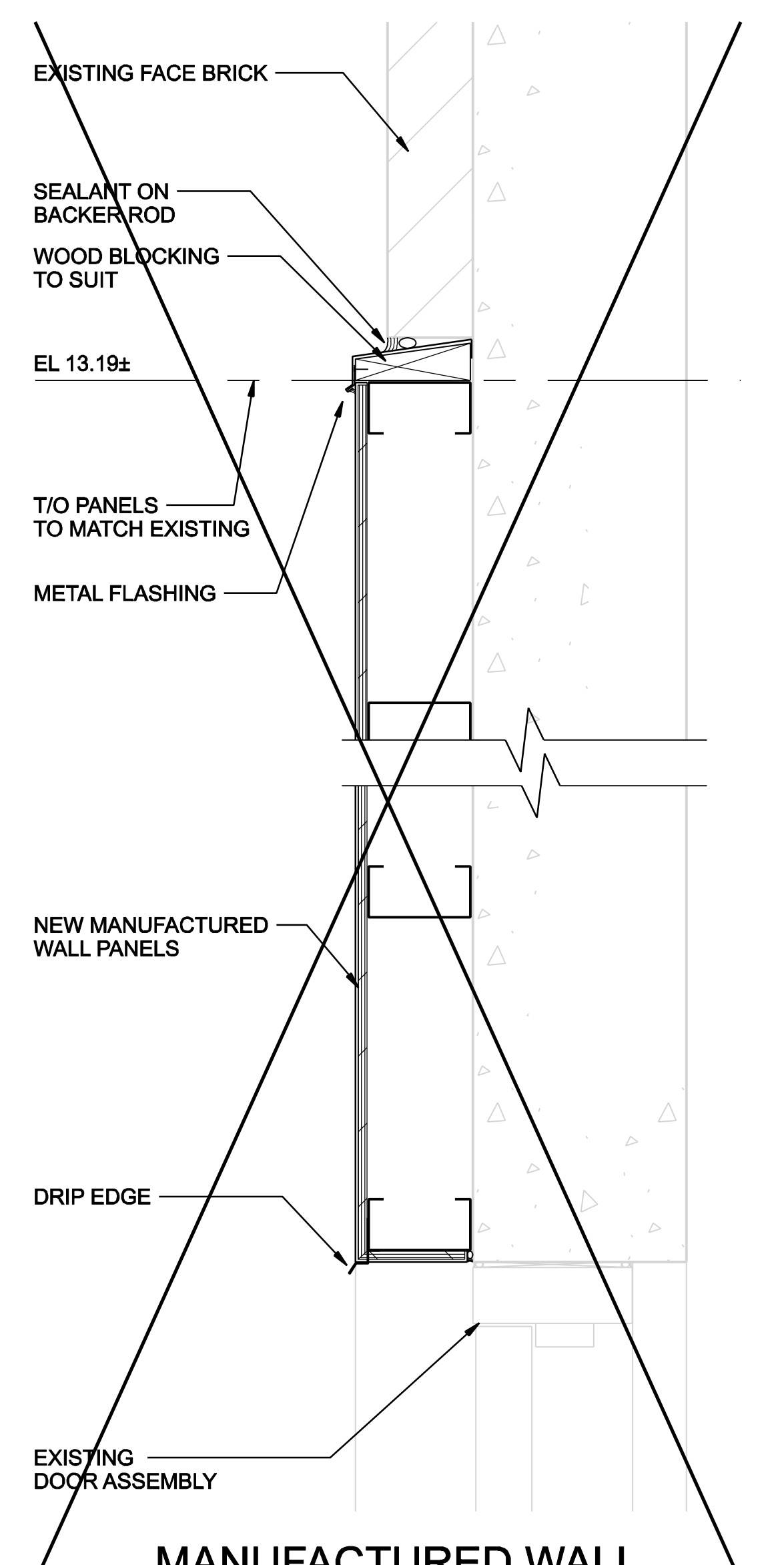
3 PLAN DETAIL
NTS
A2400



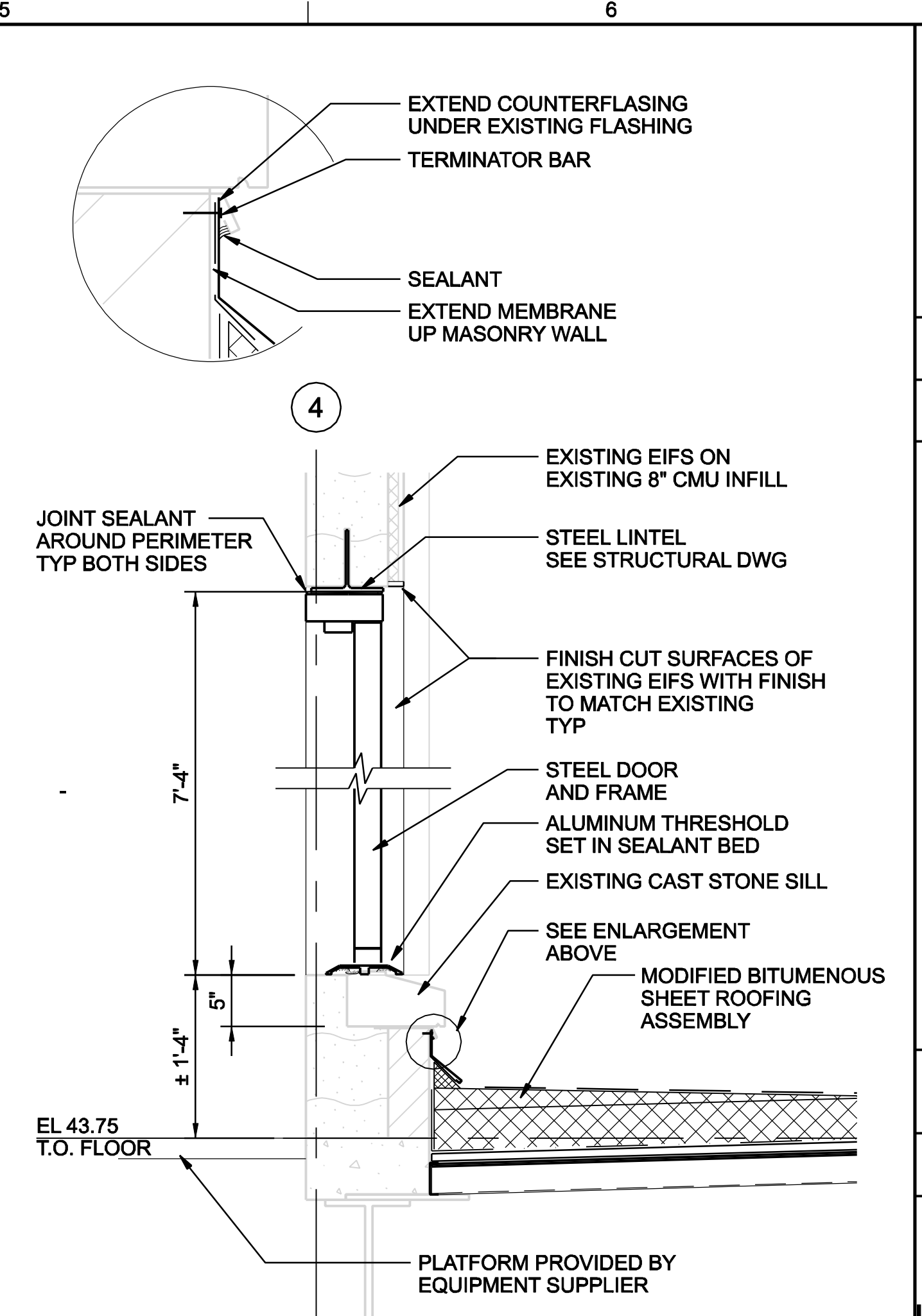
4 EXTERIOR DOOR PLAN DETAIL
1"=1'-0"
A2400



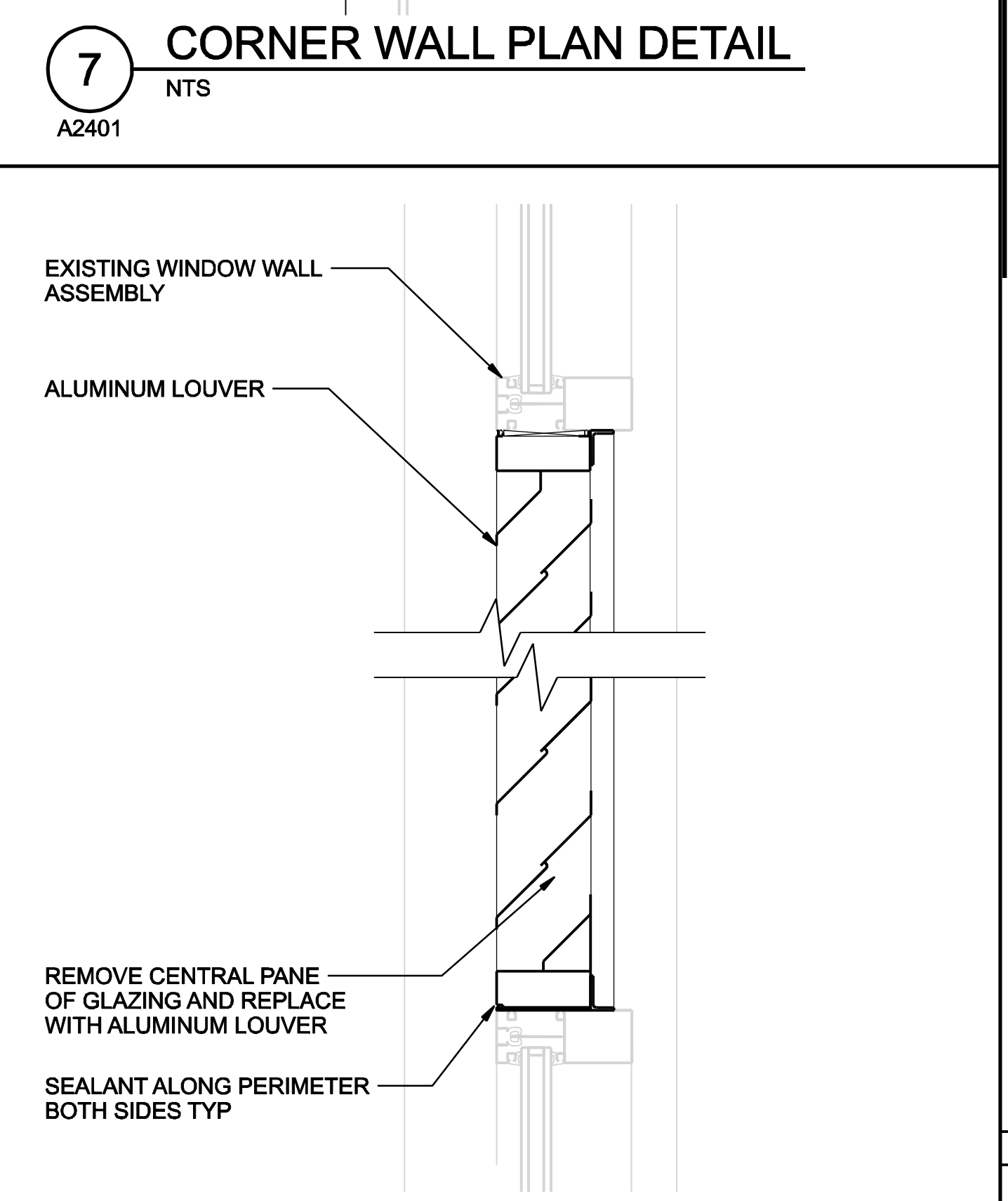
5 CORNER PLAN DETAIL
NTS
A2400



6 MANUFACTURED WALL PANEL SECTION
NTS
A2401
NOT USED



7 CORNER WALL PLAN DETAIL
NTS
A2401



8 LOUVER SECTION DETAIL
NTS
A2409

RECORD DRAWING		BY	APVD	B. GACKSTATTER
BG	PW	BG	BG	
RE-ISSUED FOR CONSTRUCTION		BY	APVD	L. GRANDE
BG	PW	BG	BG	
ISSUED FOR CONSTRUCTION		BY	APVD	W. YU
BG	PW	BG	BG	
FOR FINAL REVIEW/ BUILDING PERMIT		BY	APVD	DR
BG	LG	BG	BG	
NO.	DATE	NO.	DATE	
3	01/20/08	0	06/05/06	
2	09/08/06	1	07/04/06	
1	07/04/06			
0	06/05/06			
STAMFORD WATER POLLUTION CONTROL AUTHORITY SOLIDS DRYING PROJECT				
ARCHITECTURAL DETAILS (2)				
VERIFY SCALE BAR IS ONE INCH ON ORIGINAL DRAWING.				
DATE	JUNE 2006			
PROJ	334058			
DWG	A-2411			
SHEET	A14			