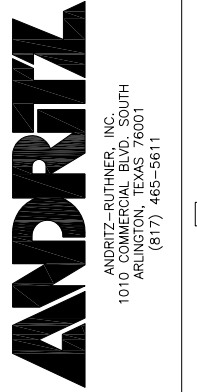
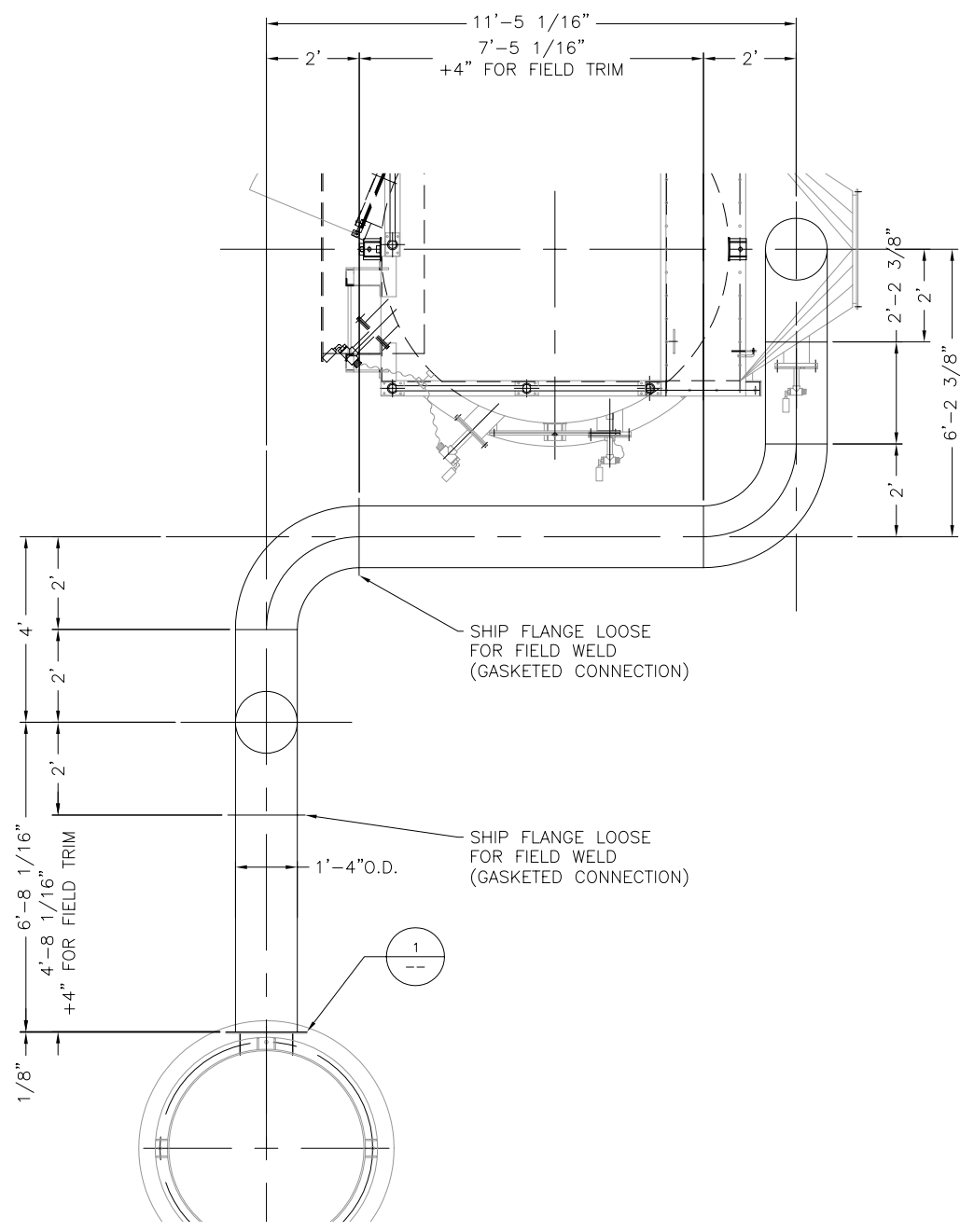


NOTES:

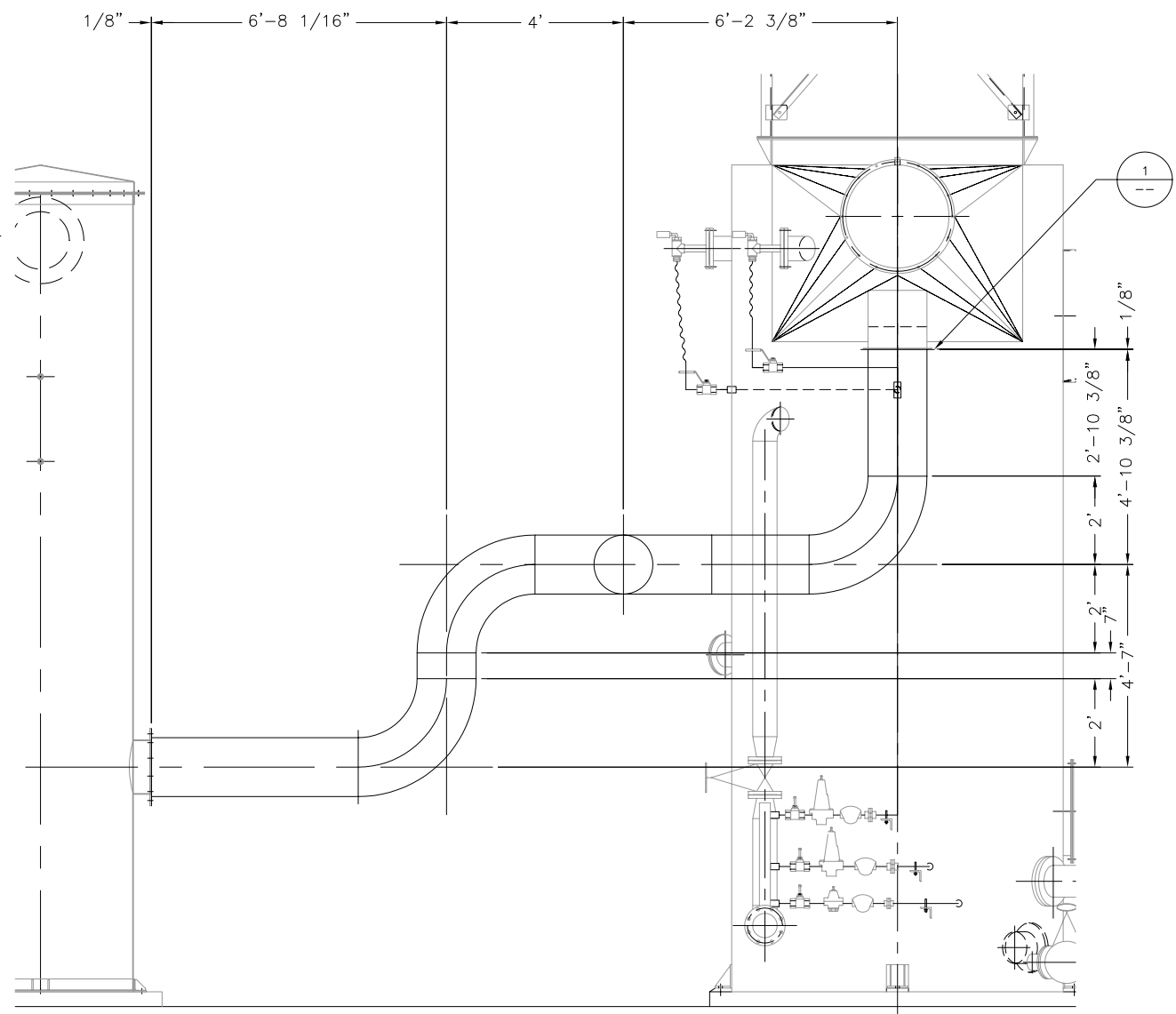
- 1. FOR GENERAL PROCESS DUCT FABRICATION NOTES SEE DRAWING 1524-560-20.
- 2. DESIGN OPERATING PRESSURE FOR THIS DUCT SECTION IS 30" WG NEGATIVE.
- 3. MAXIMUM REINFORCEMENT SPACING ON THIS DUCT SECTION IS 10'-0".



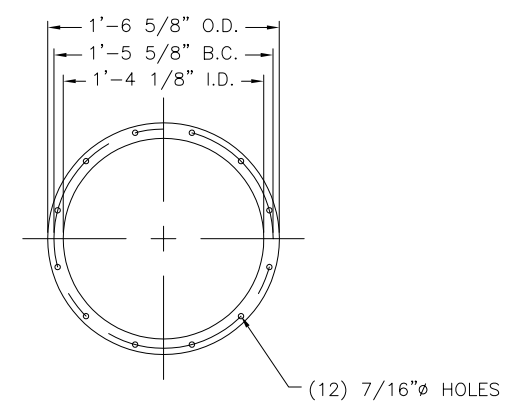
| | | | |
|--------------|------------|----------|----------|
| DATE: | 04/20/06 | | |
| DRAWN BY: | JEN | | |
| CHECKED BY: | | | |
| APPROVED BY: | | | |
| SCALE: | 1/4"=1'-0" | | |
| SIZE: | | | |
| FILE: | 152456041 | | |
| REV | 0 | REV | 0 |
| REVISION | | REVISION | |
| DATE | 06/05/06 | DATE | 06/05/06 |
| REV | | REV | |
| REVISION | | REVISION | |
| DATE | | DATE | |
| REV | | REV | |
| REVISION | | REVISION | |



PLAN VIEW



ELEVATION VIEW



1 FLANGE DETAIL
1 1/2"=1'-0"

THIS DRAWING IS COPY RIGHTED AND IS THE PROPERTY OF ANDRITZ-RUTHNER, INC. IT IS TO BE USED ONLY FOR THE PROJECT AND SITE SPECIFICALLY IDENTIFIED HEREIN. IT IS NOT TO BE REPRODUCED, COPIED, OR TRANSMITTED IN ANY FORM OR BY ANY MEANS, ELECTRONIC OR MECHANICAL, INCLUDING PHOTOCOPYING, RECORDING, OR BY ANY INFORMATION STORAGE AND RETRIEVAL SYSTEM, WITHOUT THE WRITTEN PERMISSION OF ANDRITZ-RUTHNER, INC. ANY UNAUTHORIZED USE OF THIS DRAWING IS PROHIBITED AND WILL BE CONSIDERED A VIOLATION OF THE COPYRIGHT LAWS OF THE UNITED STATES OF AMERICA. ANDRITZ-RUTHNER, INC. IS NOT RESPONSIBLE FOR ANY ERRORS OR OMISSIONS IN THIS DRAWING. THE USER OF THIS DRAWING IS RESPONSIBLE FOR VERIFYING THE ACCURACY OF ALL DIMENSIONS AND CONDITIONS BEFORE CONSTRUCTION. THIS DRAWING MUST BE RETURNED ON REQUEST OF THE COMPANY.



| | |
|----------------|--|
| JOB NAME | CITY OF STAMFORD CONNECTICUT SOLIDS DRYING PROJECT |
| TITLE | GENERAL ARRANGEMENT DUCT SATURATOR(500) TO VENTUR(510) |
| PROJECT NUMBER | 1524 |
| DRAWING NUMBER | 560-41 |
| REV | 0 |
| SHEET | 1 OF 1 |