

- NOTES:**
- MATERIAL OF CONSTRUCTION:**
HOUSING, CARBON STEEL.
MATERIAL CONTACT AREAS, 212/255 BHN
 - PROVIDE SLACK CABLE & FULL UP FULL DOWN LIMIT SWITCHES.
 - PROVIDE DUST COLLECTION THRU SPOUT OUTER SLEEVE.
 - PAINT SPECIFICATIONS:**
LOADING SPOUT SHALL BE SURFACE PREPARED AND PAINTED IN ACCORDANCE WITH MANUFACTURER'S STANDARD HEAVY DUTY PAINT SYSTEM THAT INCLUDES SURFACE PREPARATION, EPOXY PRIMER, AND POLYURETHANE ENAMEL FINISH.
 - MANUFACTURER SHALL TAG ALL COMPONENTS BEFORE SHIPPING. ONE EXTRA COPY OF THE INSTALLATION INSTRUCTIONS SHALL BE INCLUDED IN SHIPMENT.

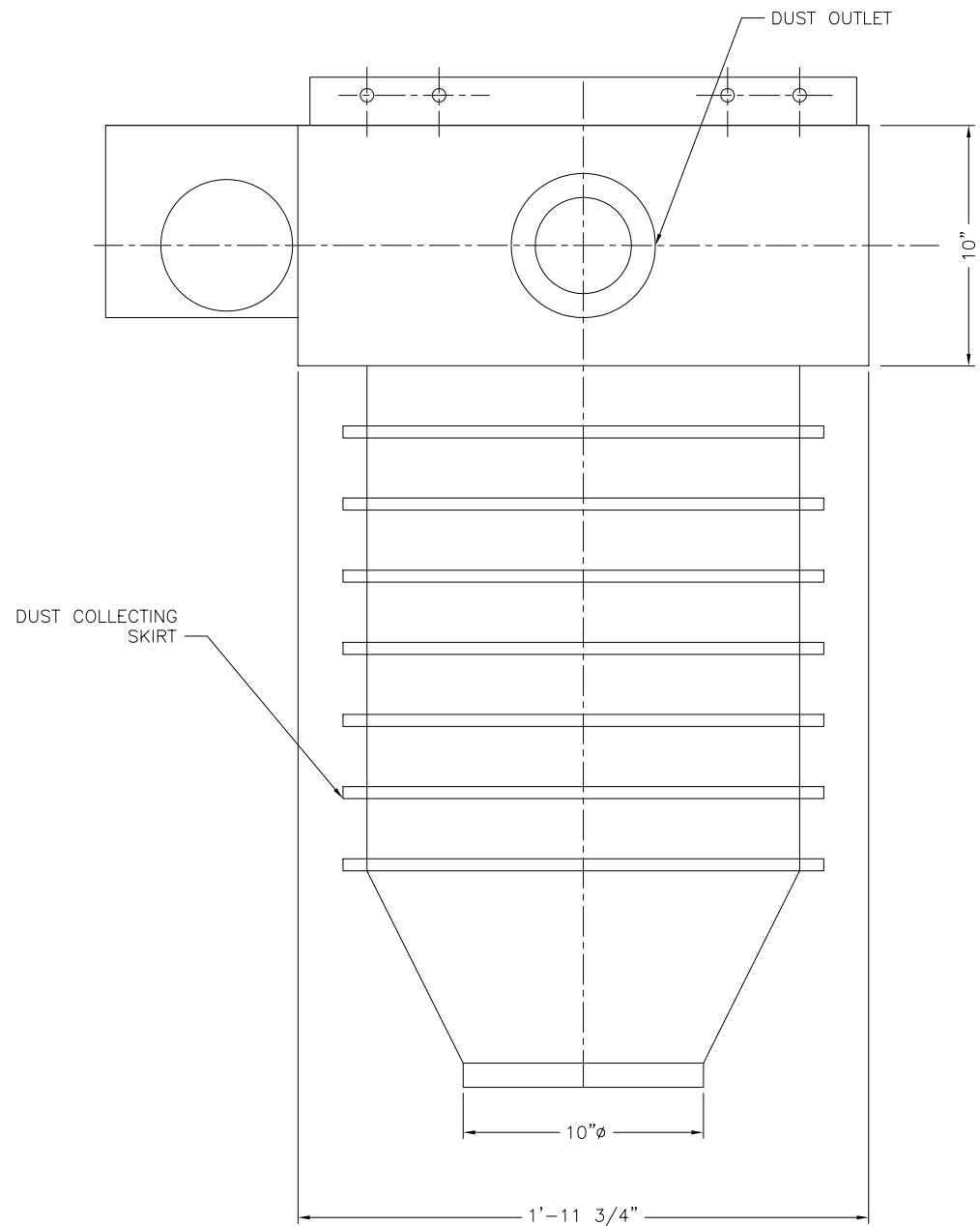
EQUIPMENT SPECIFICATIONS

MANUFACTURER	BAYSHORE
MODEL	OL-100-9
THRU-PUT	10 TPH NOMINAL
CAPACITY	50 TPH
MOTOR	1HP 460/3/60 TEFC
EQUIPMENT WEIGHT	500 LBS

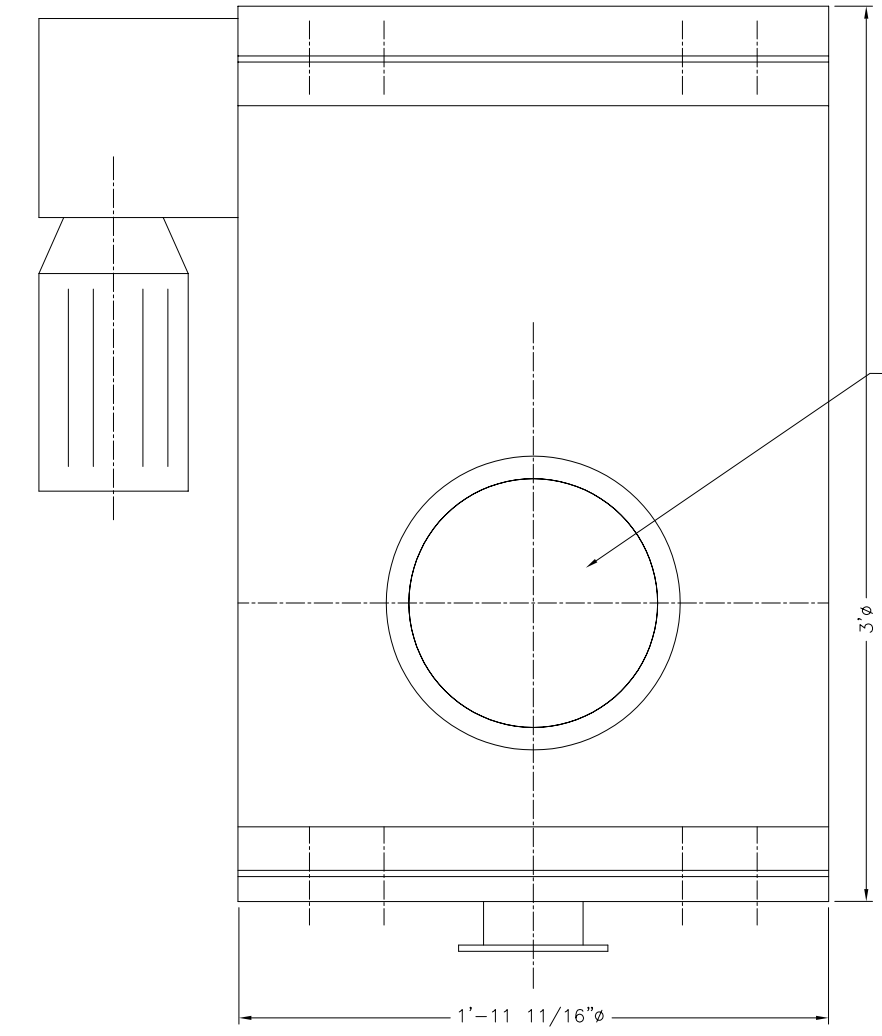
TAG EQP'T 40.099.000

DATE:	12/27/05
DRAWN BY:	JEN
CHECKED BY:	
APPROVED BY:	
SCALE:	3" = 1'-0"
SIZE:	
FILE:	152409900
PROJECT NUMBER:	1524
DRAWING NUMBER:	099-00
SHEET:	1 OF 1
DATE:	01/24/07
REV:	0
REVISION:	FOR FINAL REVIEW/BUILDING PERMIT
DATE:	06/05/06
REV:	1
REVISION:	UPDATED NOTES

JOB NAME: CITY OF STAMFORD CONNECTICUT
 PROJECT: SOLIDS DRYING PROJECT
 TITLE: SILO UNLOADING SPOUT (099)
 GENERAL ARRANGEMENT



ELEVATION VIEW



PLAN VIEW

THIS DRAWING IS COPY RIGHTED.
 THIS DRAWING IS A TRADE SECRET AND ONLY ENTRUSTED TO THE RECEIVER FOR HIS PERSONAL USE. WITHOUT THE SIGNED WRITTEN CONSENT OF ANDRITZ-RUTHNER, INC., IT MUST NOT BE COPIED NOR MADE AVAILABLE TO THIRD PARTIES. INCLUDING COMPETITORS, NOR MADE ACCESSIBLE TO SUCH PARTIES. ANY ILLEGAL USE BY THE RECEIVER OR THIRD PARTIES FOR WHICH HE IS RESPONSIBLE CAN CONSTITUTE A CAUSE FOR LEGAL ACTION. THIS DRAWING MUST BE RETURNED ON REQUEST OF THE COMPANY.

