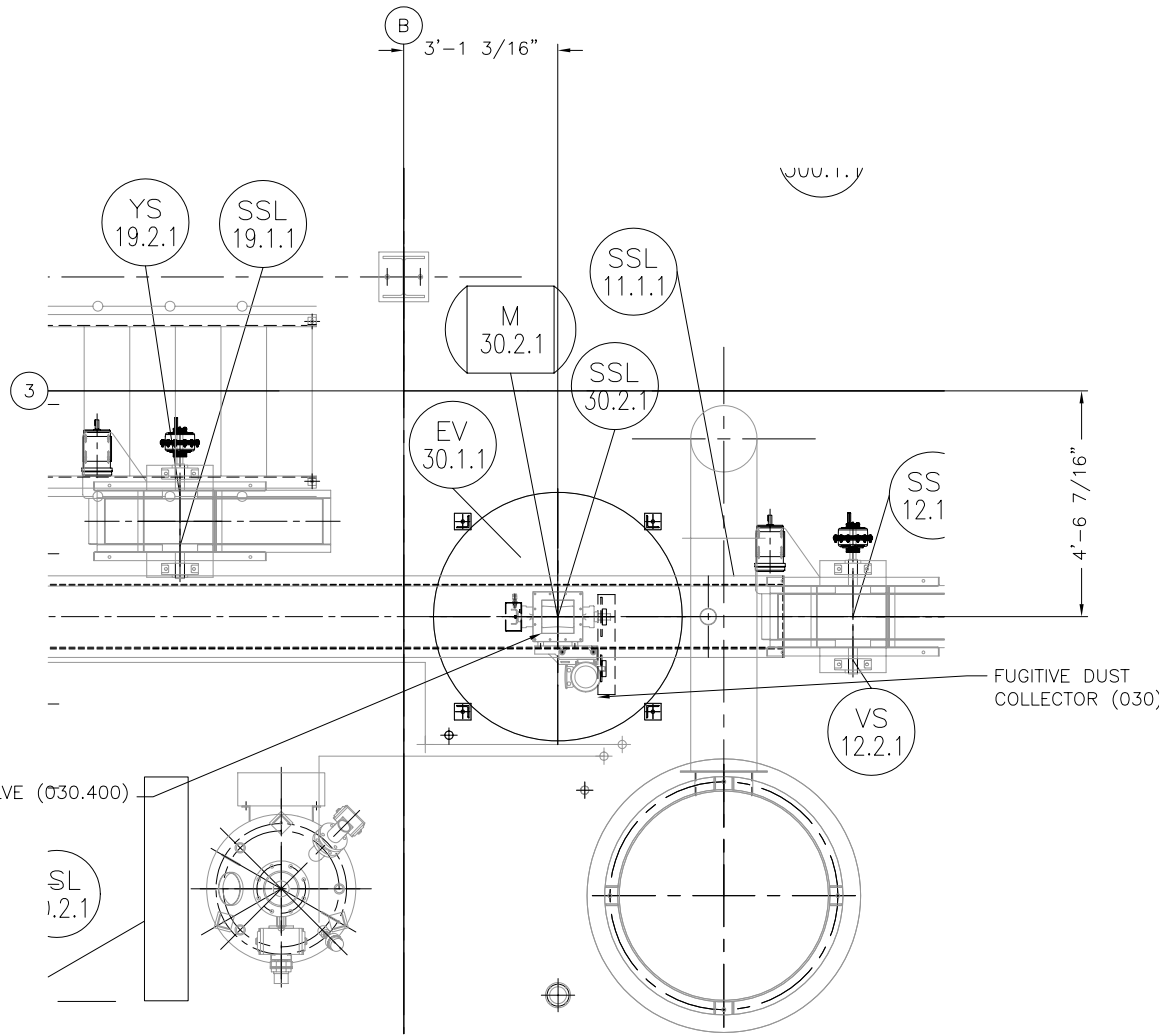
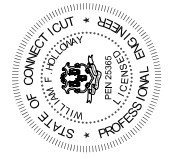


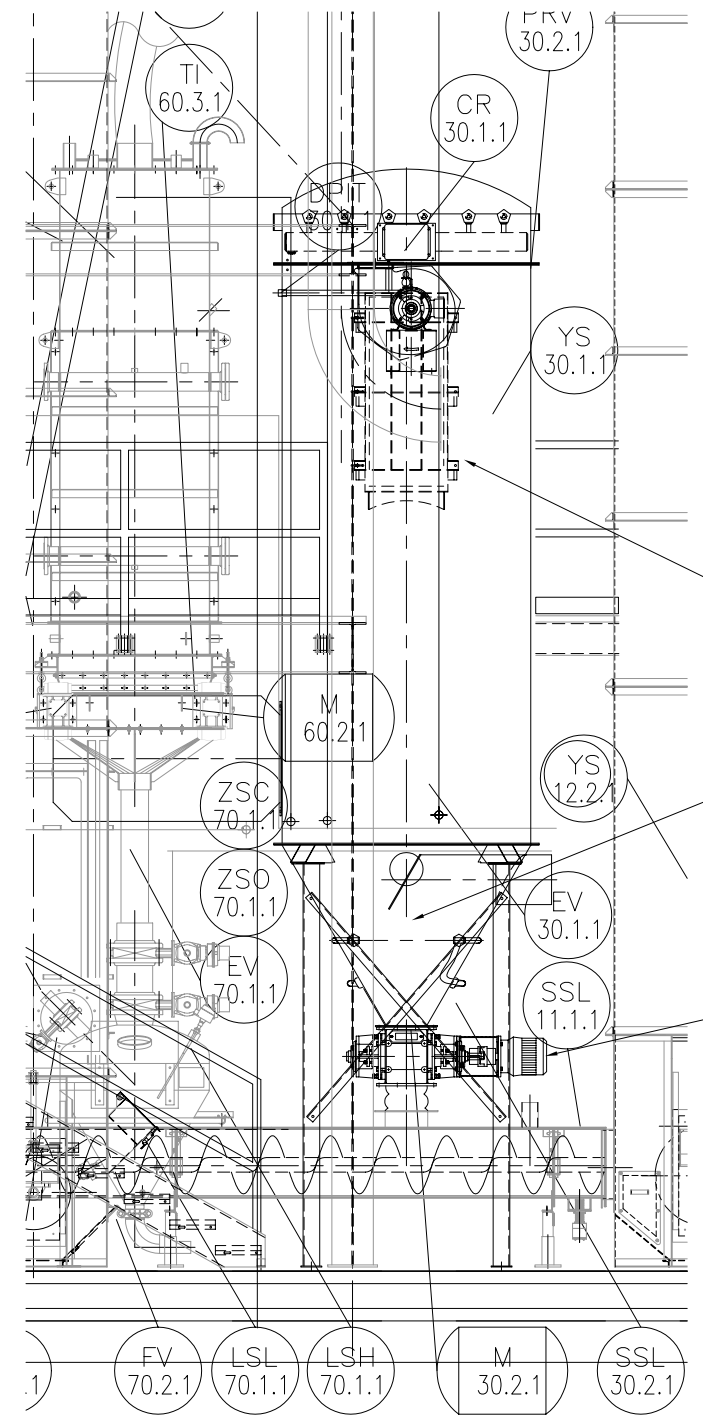
**INSTALLATION NOTES:**

1. EQUIPMENT CONNECTION JOINTS TO BE GASKETED.
2. GASKETS & HARDWARE PROVIDED BY ANDRITZ.
3. CONTRACTOR TO PROVIDE FILED DIMENSIONS REQUIRED FOR CHUTES AFTER EQUIPMENT IS INSTALLED.

TAG EQP'T 40.030.000



PLAN VIEW



ELEVATION VIEW

FUGITIVE DUST COLLECTOR (030)

ROTARY VALVE (030.400)

SHIP LOOSE AND LOCATE FUGITIVE DUST INLET TO SCREW (011) IN FIELD, SEAL WELD IN FIELD

REV	DESCRIPTION	DATE
0	FOR FINAL REVIEW/BUILDING PERMIT	06/05/06

DATE:	12/27/05
DRAWN BY:	JEN
CHECKED BY:	
APPROVED BY:	
SCALE:	1/2" = 1'-0"
FILE:	152403020
SIZE:	

JOB NAME:	CITY OF STAMFORD CONNECTICUT SOLIDS DRYING PROJECT
TITLE:	FUGITIVE DUST COLLECTOR (030) INSTALLATION & UTILITIES
PROJECT NUMBER:	1524
DRAWING NUMBER:	030-20
REVISION:	1
SHEET:	1 OF 1

THIS DRAWING IS COPY RIGHTED AND IS A TRADE SECRET AND ONLY ENTRUSTED TO THE RECEIVER FOR HIS PERSONAL USE. WITHOUT THE SIGNED WRITTEN CONSENT OF ANDRITZ-RUTHNER, INC., IT MUST NOT BE COPIED, REPRODUCED, OR MADE AVAILABLE TO THIRD PARTIES. INCLUDING COMPETITORS, NOR MADE ACCESSIBLE TO SUCH PARTIES. ANY ILLEGAL USE BY THE RECEIVER OR THIRD PARTIES FOR WHICH HE IS RESPONSIBLE CAN CONSTITUTE A CAUSE FOR LEGAL ACTION. THIS DRAWING MUST BE RETURNED ON REQUEST OF THE COMPANY.

