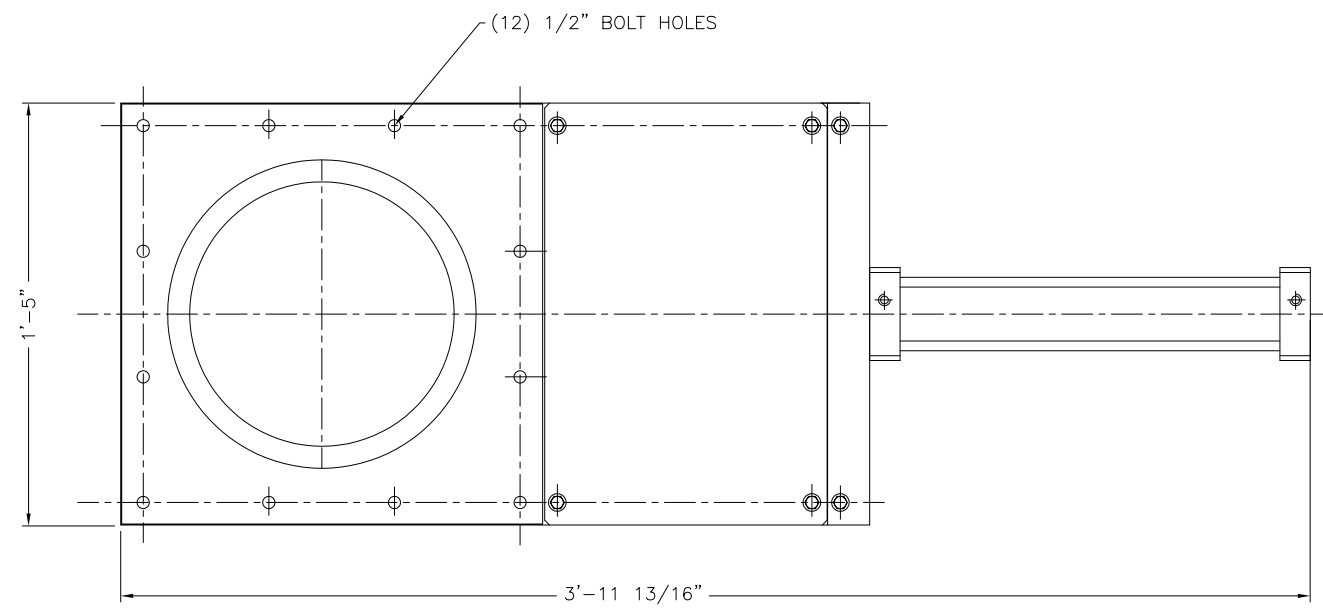
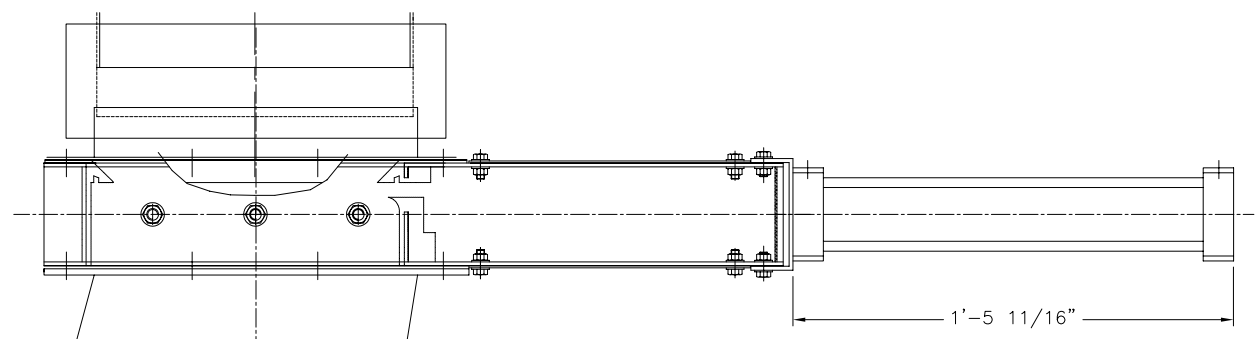


END VIEW



PLAN VIEW



ELEVATION VIEW

CONTRACTOR TO PROVIDE  
FIELD DIMENSIONS TO ANDRITZ  
AFTER EQUIPMENT ERECTION.  
CHUTE FURNISHED BY ANDRITZ.

**NOTES:**

1. MATERIAL OF CONSTRUCTION:  
HOUSING, 304 S.S.  
KNIFE BLADE, 304 S.S.
2. PROVIDE DOUBLE ACTING AIR CYLINDER:
3. PROVIDE 12" DIA. STUB END
4. MANUFACTURER SHALL TAG ALL COMPONENTS BEFORE SHIPPING. ONE EXTRA COPY OF THE INSTALLATION INSTRUCTIONS SHALL BE INCLUDED IN SHIPMENT.

**EQUIPMENT SPECIFICATIONS**

MANUFACTURER WAM  
MODEL VLC.300.P2E  
CAPACITY 50 TPH NOMINAL

TAG EQP'T 40.023.000



REV	DESCRIPTION	DATE
0	FOR FINAL REVIEW/BUILDING PERMIT	06/05/06
1	UPDATED LAYOUT	01/17/07

DATE: 12/22/05  
DRAWN BY: JEN  
CHECKED BY:  
APPROVED BY:  
SCALE: 3" = 1'-0"  
SIZE: 152402300

CITY OF STAMFORD CONNECTICUT  
SOLIDS DRYING PROJECT  
SILO PNEUMATIC SLIDE GATE (023)  
GENERAL ARRANGEMENT  
PROJECT NUMBER 1524  
DRAWING NUMBER 023-00  
SHEET 1 OF 1

THIS DRAWING IS COPY RIGHTED  
FOR HIS PERSONAL USE WITHOUT THE SIGNED WRITTEN CONSENT OF ANDRITZ-RUTHNER, INC. IT MUST NOT BE COPIED NOR MADE AVAILABLE TO THIRD PARTIES. INCLUDING COMPETITORS, NOR MADE ACCESSIBLE TO SUCH PARTIES. ANY ILLEGAL USE BY THE RECEIVER OR THIRD PARTIES FOR WHICH HE IS RESPONSIBLE CAN CONSTITUTE A CAUSE FOR LEGAL ACTION. THIS DRAWING MUST BE RETURNED ON REQUEST OF THE COMPANY.

