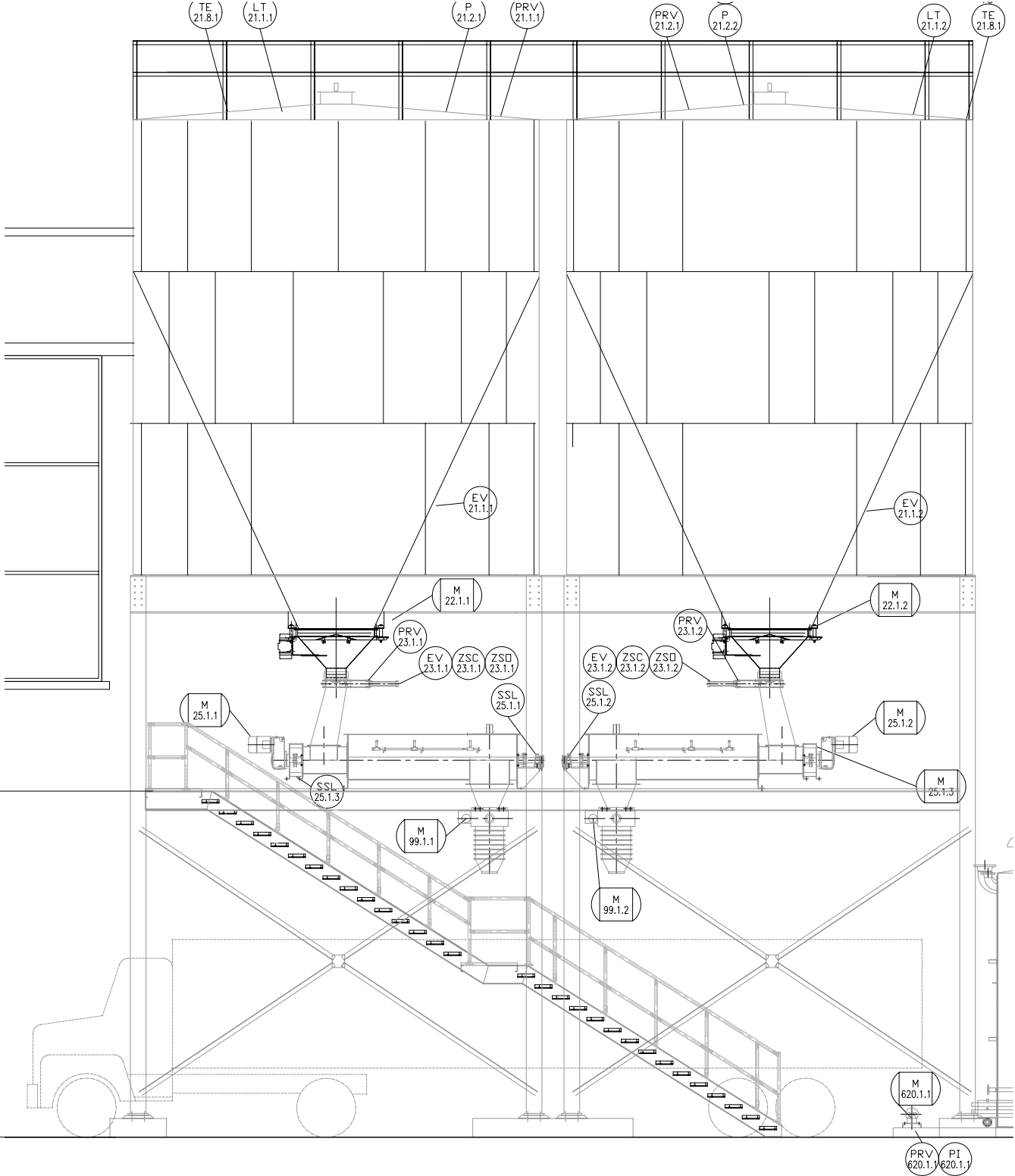


INSTALLATION NOTES:

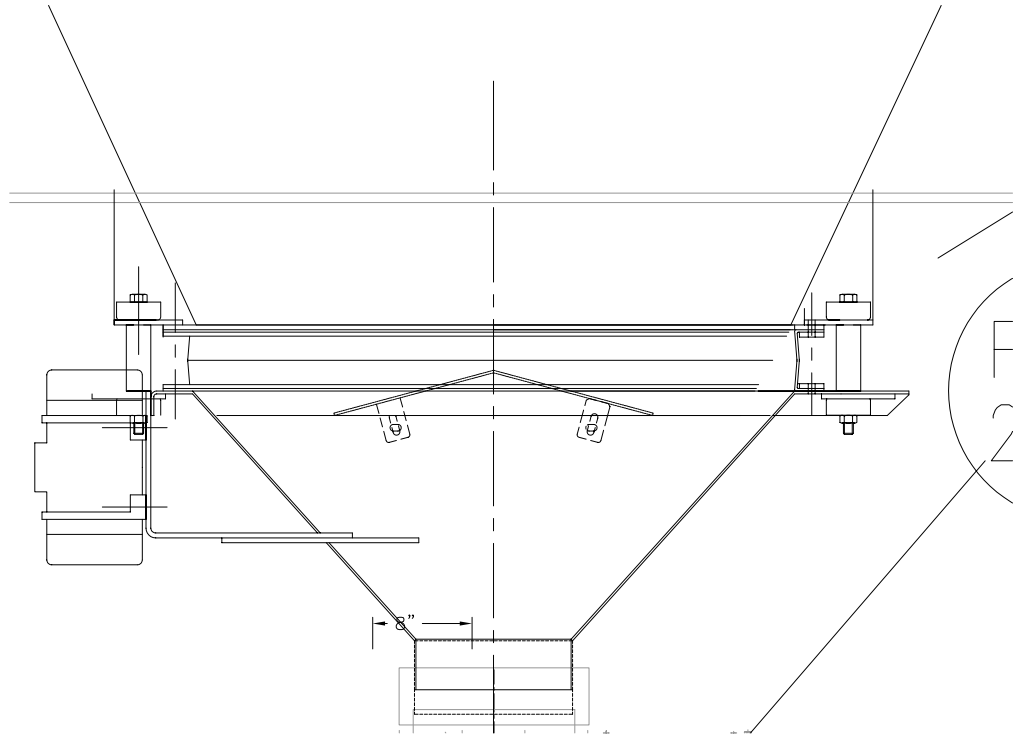
1. EQUIPMENT CONNECTION JOINTS TO BE GASKETED.
2. GASKETS & HARDWARE PROVIDED BY ANDRITZ.
3. CONTRACTOR TO PROVIDE FILED DIMENSIONS REQUIRED FOR CHUTES AFTER EQUIPMENT IS INSTALLED.

TAG EQP'T 40.022.000



ELEVATION VIEW

SCALE: 1/4"=1'-0"



ELEVATION VIEW



DATE: 01/17/07
06/05/06

REV	DESCRIPTION	DATE
1	UPDATE LAYOUT	01/17/07
0	FOR FINAL REVIEW/BUILDING PERMIT	06/05/06

DATE: 12/22/05
DRAWN BY: JEN
CHECKED BY:
APPROVED BY:
SCALE: 1/4"=1'-0"
FILE: 152402220
SIZE:

JOB NAME: CITY OF STAMFORD CONNECTICUT
PROJECT NUMBER: 1524
TITLE: SILO BIN ACTIVATOR (022)
INSTALLATION & UTILITIES
DRAWING NUMBER: 022-20
SHEET 1 OF 1

THIS DRAWING IS COPY RIGHTED.
THIS DRAWING IS A TRADE SECRET AND ONLY ENTRUSTED TO THE RECEIVER FOR HIS PERSONAL USE. WITHOUT THE SIGNED WRITTEN CONSENT OF ANDRITZ-RUTHNER, INC., IT MUST NOT BE COPIED NOR MADE AVAILABLE TO THIRD PARTIES. INCLUDING COMPETITORS, NOR MADE ACCESSIBLE TO SUCH PARTIES. ANY ILLEGAL USE BY THE RECEIVER OR THIRD PARTIES FOR WHICH HE IS RESPONSIBLE CAN CONSTITUTE A CAUSE FOR LEGAL ACTION. THIS DRAWING MUST BE RETURNED ON REQUEST OF THE COMPANY.

