

- INSTALLATION NOTES:**
- EQUIPMENT CONNECTION JOINTS TO BE GASKETED.
  - GASKETS & HARDWARE PROVIDED BY ANDRITZ.
  - CONTRACTOR TO PROVIDE FILED DIMENSIONS REQUIRED FOR CHUTES AFTER EQUIPMENT IS INSTALLED.

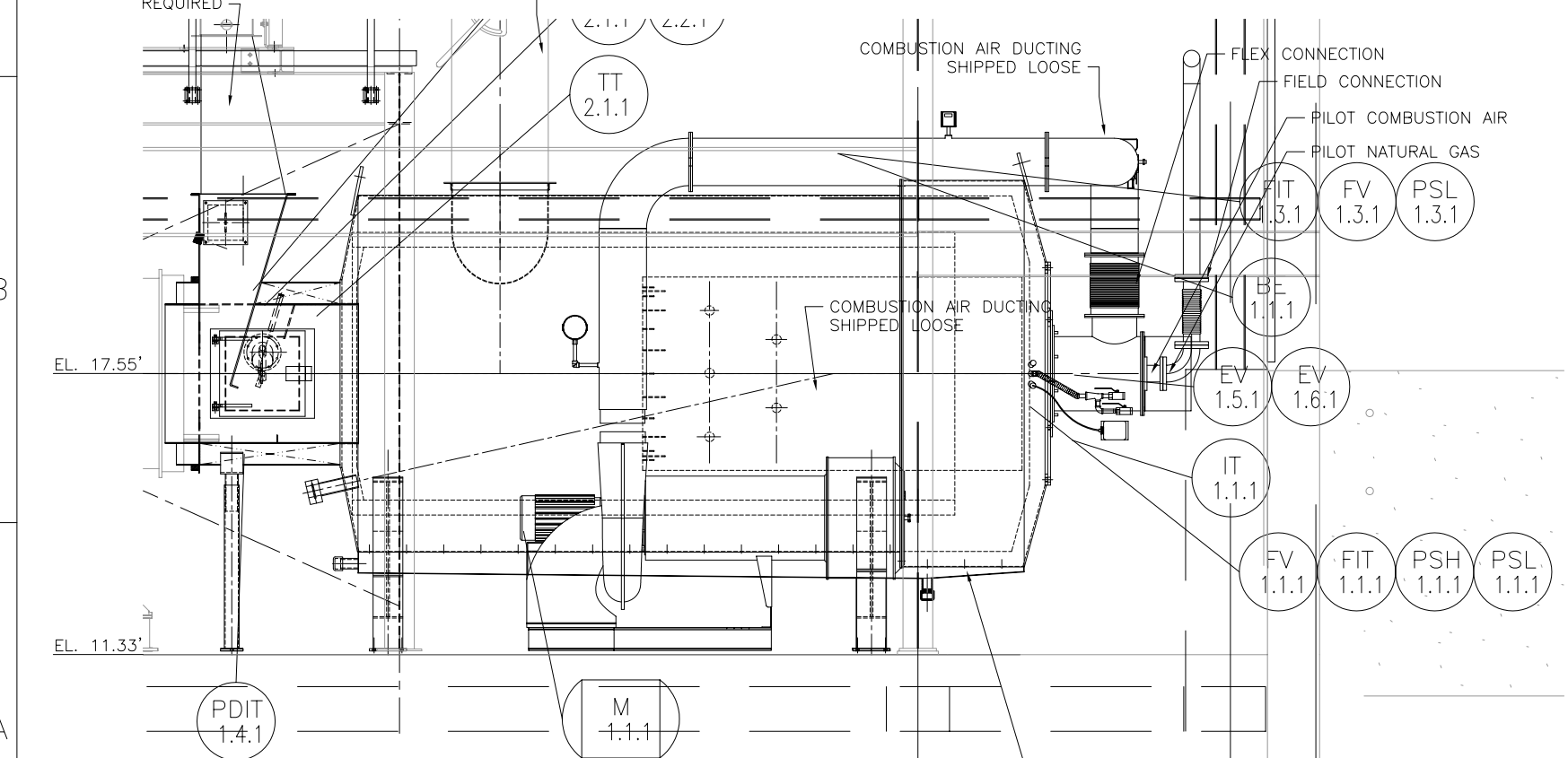
TAG EQP'T 40.001.000



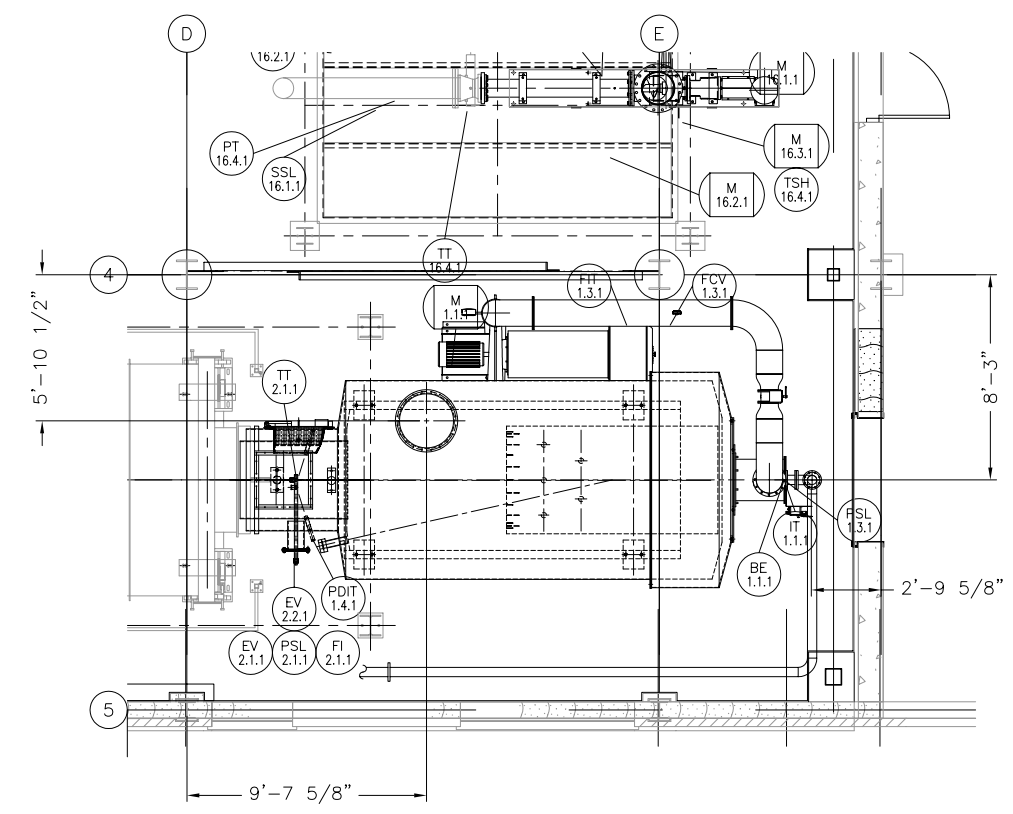
CAKE INLET CHUTE FURNISHED BY ANDRITZ FIELD DIMENSIONS REQUIRED

PROCESS AIR RETURN DUCTING (SEE DWG 560-40)

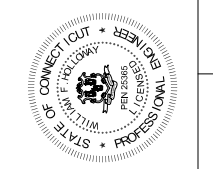
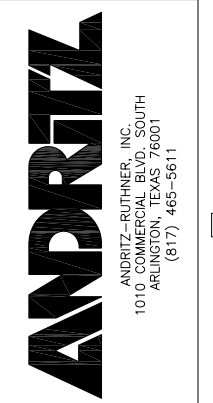
**PLAN VIEW**



**ELEVATION VIEW**



**PLAN VIEW**  
SCALE: 1/4"=1'-0"



DATE:	12/16/05
DRAWN BY:	JEN
CHECKED BY:	
APPROVED BY:	
SCALE:	1/2"=1'-0"
FILE:	152400120
SIZE:	
REV	0
REV	1
REVISION	FOR FINAL REVIEW/BUILDING PERMIT
DATE	06/05/06
DATE	01/16/07

DDSD40

CITY OF STAMFORD CONNECTICUT  
SOLIDS DRYING PROJECT

**FURNACE (001)**  
**INSTALLATION & UTILITIES**

JOB NAME

PROJECT NUMBER  
**1524**

DRAWING NUMBER  
**001-20**

SHEET 1 OF 1

THIS DRAWING IS COPY RIGHTED AND IS A TRADE SECRET AND ONLY ENTRUSTED TO THE RECEIVER FOR HIS PERSONAL USE. WITHOUT THE SIGNED WRITTEN CONSENT OF ANDRITZ-RUTHNER, INC., IT MUST NOT BE COPIED NOR MADE AVAILABLE TO THIRD PARTIES. INCLUDING COMPETITORS, NOR MADE ACCESSIBLE TO SUCH PARTIES. ANY ILLEGAL USE BY THE RECEIVER OR THIRD PARTIES FOR WHICH HE IS RESPONSIBLE CAN CONSTITUTE A CAUSE FOR LEGAL ACTION. THIS DRAWING MUST BE RETURNED ON REQUEST OF THE COMPANY.

