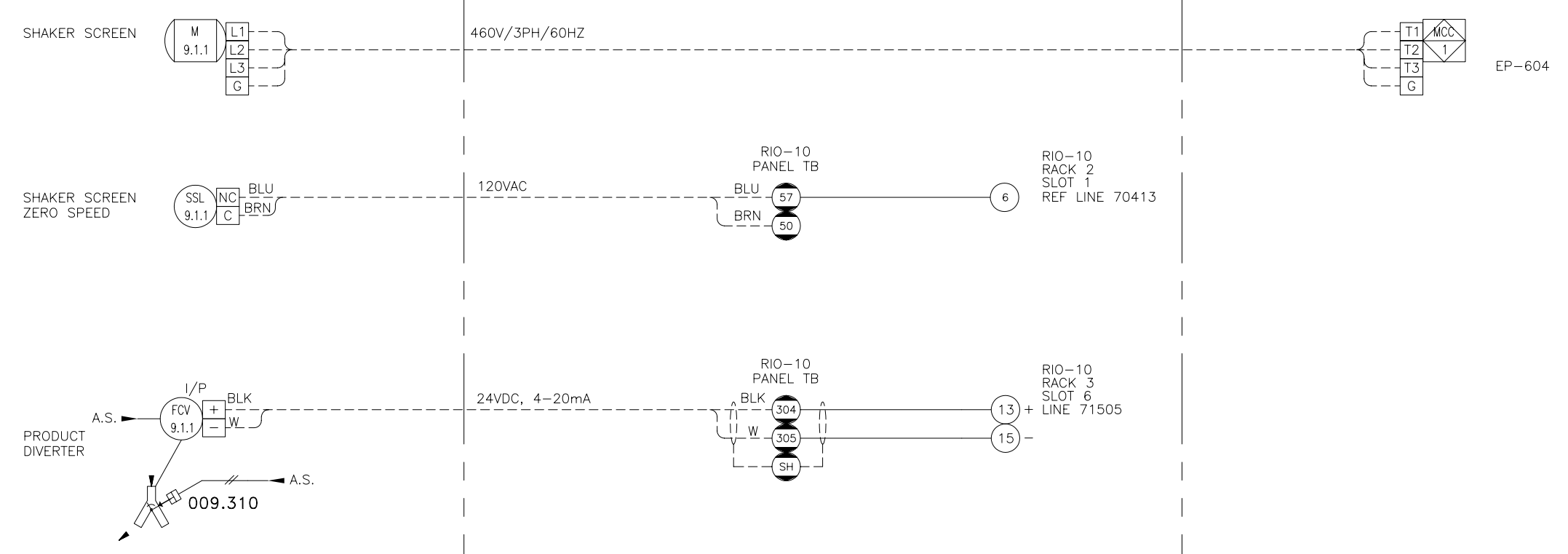


DATE	REVISION
12/08/06	0

DATE: 3/18/06	FILE: 15224E1813
CHECKED BY: BB	SCALE: NONE
APPROVED BY:	SIZE:
DDS40	

JOB NAME	CITY OF STAMFORD CONNECTICUT SOLIDS DRYING PROJECT
TITLE	PELLETIZING TRAIN GROUP 009 LOOP DIAGRAM
PROJECT NUMBER	1524
DRAWING NUMBER	EI-813
REV	0
SHEET	1 OF 1

FIELD REMOTE I/O MCC BUCKET PANEL



TAG	DESCRIPTION	MANUFACTURER	MODEL NO.	CALIBRATION
M-9.1.1	MOTOR	X	X	X
SSL-9.1.1	ZERO SPEED SWITCH	TELEMECANIQUE	XSAV-12801	X
FCV-9.1.1	FLOW DIVERTER	TYCO EZ-CAL	EZ 040-DON	X

THIS DRAWING IS COPY RIGHTED
 FOR HIS PERSONAL USE WITHOUT THE SIGNED WRITTEN CONSENT OF ANDRITZ-RUTHNER, INC. IT MUST NOT BE COPIED NOR MADE AVAILABLE TO THIRD PARTIES. INCLUDING COMPETITORS, NOR MADE ACCESSIBLE TO SUCH PARTIES. ANY ILLEGAL USE BY THE RECEIVER OR THIRD PARTIES FOR WHICH HE IS RESPONSIBLE CAN CONSTITUTE A CAUSE FOR LEGAL ACTION. THIS DRAWING MUST BE RETURNED ON REQUEST OF THE COMPANY.

RELEASED 12/08/06
 REVISION - 0

