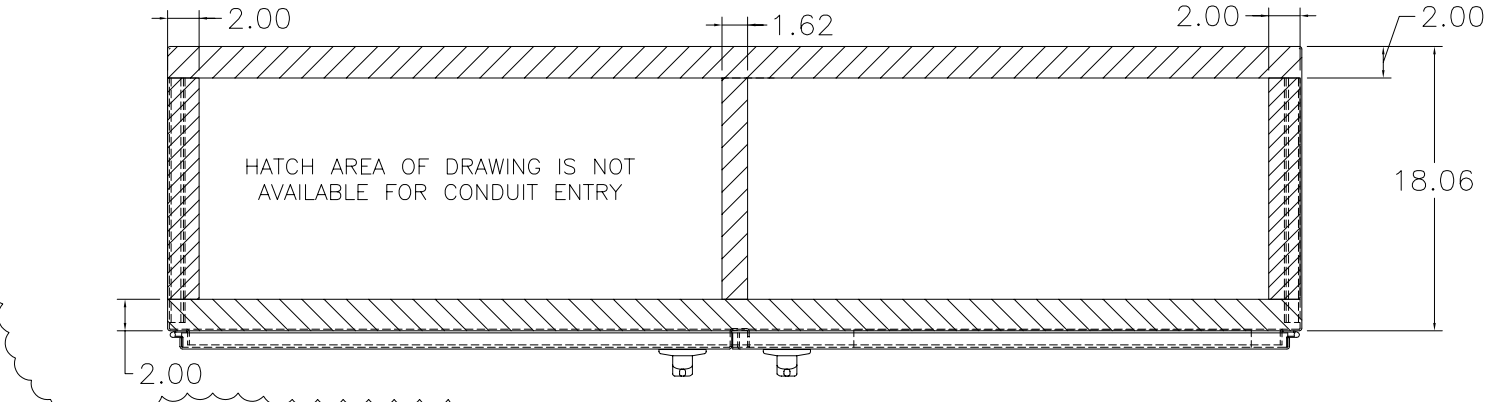
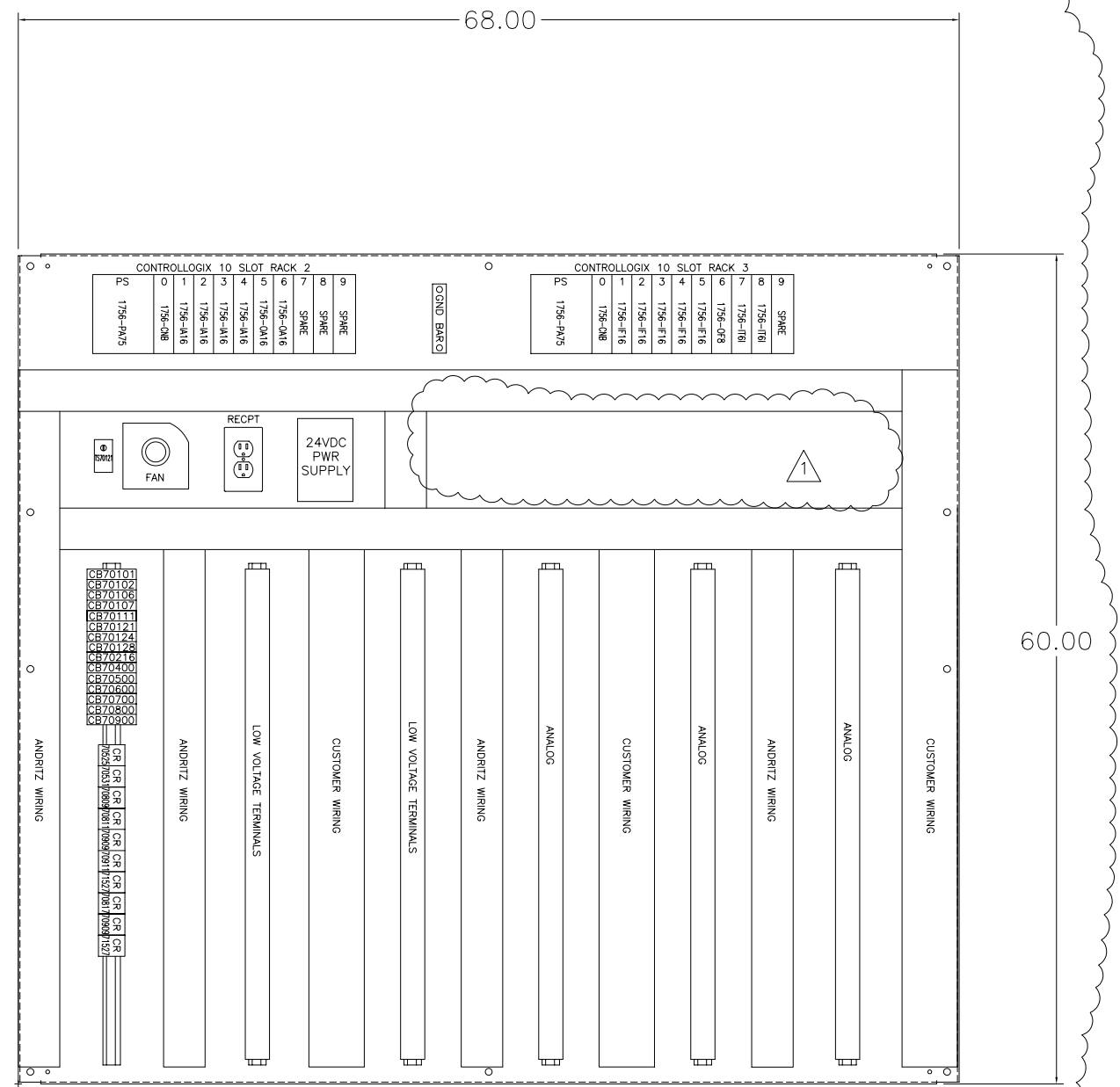


FRONT VIEW

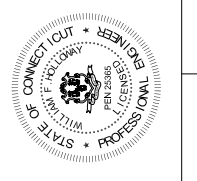


BOTTOM VIEW



SUBPANEL LAYOUT

- NOTES:
- 1) ENCLOSURE IS NEMA 4X 316 STAINLESS STEEL. PANEL DEPTH IS 18".
 - 2) CONTROL RELAYS ARE ALLEN BRADLEY #700-HA33A1-4 120 VOLT COILS WITH CONTACT RATED FOR 10 AMPS@ 120VAC.
 - 3) ALL WIRING TO CONFORM TO NATIONAL ELECTRIC CODE AND INCLUDES PERMANENT WIRE MARKERS.
 - 4) ENCLOSURE LIGHT TO HAVE DOORSWITCH.
 - 5) INDICATOR LIGHTS TO 120V LED TYPE.
 - 6) PANEL ASSEMBLY TO BE UL-508 LISTED



DATE:	12/29/05
DRAWN BY:	SSD
CHECKED BY:	
APPROVED BY:	
SCALE:	NONE
FILE:	152-4E1401
SIZE:	
PROJECT NUMBER:	1524
TITLE:	RIO-10 PANEL LAYOUT
REVISION:	0
DATE:	06/05/06
REVISION:	1
DATE:	10/13/06
REVISION:	0
DATE:	06/05/06
REVISION:	0

THIS DRAWING IS COPY RIGHTED. THIS DRAWING IS A TRADE SECRET AND ONLY ENTRUSTED TO THE RECEIVER FOR HIS PERSONAL USE. WITHOUT THE SIGNED WRITTEN CONSENT OF ANDRITZ-RUTHNER, INC., IT MUST NOT BE COPIED NOR MADE AVAILABLE TO THIRD PARTIES. INCLUDING COMPETITORS, NOR MADE ACCESSIBLE TO SUCH PARTIES. ANY ILLEGAL USE BY THE RECEIVER OR THIRD PARTIES FOR WHICH HE IS RESPONSIBLE CAN CONSTITUTE A CAUSE FOR LEGAL ACTION. THIS DRAWING MUST BE RETURNED ON REQUEST OF THE COMPANY.

RELEASED 12/08/06
REVISION - 1

